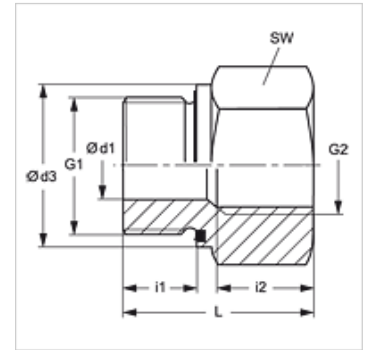


RIL ED VA

Reducing adapter, long

Properties

Connection 1	BSP external thread, cylindrical
Sealing form 1	Shape E
Connection 2	BSP cylindrical internal threads
Design	Reducing adapters
Construction	Long
Material	Stainless steel



Note

Information about fitting, installation, pressure loads and permissible operating temperatures can be found in the technical information for pipe fittings.

Ordering information

Seals of NBR
FPM (Viton) on request

Item

Identification	Operating pressure	Ø d1 (mm)	G1	G2	Ø d3 (mm)	i1 (mm)	i2 (mm)	L (mm)	AF (mm)
RIL NW 03 06 ED VA	PN 400	4	G 1/8" -28	G 1/4" -19	14,0	8	17,0	31	19
RIL NW 03 10 ED VA	PN 400	4	G 1/8" -28	G 3/8" -19	14,0	8	17,0	32	24
RIL NW 06 03 ED VA	PN 400	5	G 1/4" -19	G 1/8" -28	18,7	12	12,0	28	19
RIL NW 06 10 ED VA	PN 400	5	G 1/4" -19	G 3/8" -19	18,7	12	17,0	36	24
RIL NW 06 13 ED VA	PN 400	5	G 1/4" -19	G 1/2" -14	18,7	12	20,0	40	27
RIL NW 06 20 ED VA	PN 400	5	G 1/4" -19	G 3/4" -14	18,7	12	22,0	43	36
RIL NW 10 06 ED VA	PN 400	8	G 3/8" -19	G 1/4" -19	22,0	12	17,0	36	22
RIL NW 10 13 ED VA	PN 400	8	G 3/8" -19	G 1/2" -14	22,0	12	20,0	41	27
RIL NW 10 20 ED VA	PN 315	8	G 3/8" -19	G 3/4" -14	22,0	12	22,0	44	36
RIL NW 13 10 ED VA	PN 400	12	G 1/2" -14	G 3/8" -19	26,7	14	17,0	36	27
RIL NW 13 20 ED VA	PN 315	12	G 1/2" -14	G 3/4" -14	26,7	14	22,0	46	36
RIL NW 13 25 ED VA	PN 315	12	G 1/2" -14	G 1" -11	26,7	14	24,5	49	41
RIL NW 13 32 ED VA	PN 315	10	G 1/2" -14	G 1.1/4" -11	26,7	14	26,5	53	55
RIL NW 20 13 ED VA	PN 315	16	G 3/4" -14	G 1/2" -14	32,0	16	20,0	41	32
RIL NW 20 25 ED VA	PN 315	16	G 3/4" -14	G 1" -11	32,0	16	24,5	51	41
RIL NW 20 32 ED VA	PN 315	16	G 3/4" -14	G 1.1/4" -11	32,0	16	26,5	55	55
RIL NW 20 40 ED VA	PN 250	16	G 3/4" -14	G 1.1/2" -11	32,0	16	28,5	57	60
RIL NW 25 20 ED VA	PN 315	20	G 1" -11	G 3/4" -14	39,7	18	22,0	47	41
RIL NW 25 32 ED VA	PN 315	20	G 1" -11	G 1.1/4" -11	39,7	18	26,5	57	55
RIL NW 25 40 ED VA	PN 250	20	G 1" -11	G 1.1/2" -11	39,7	18	28,0	59	60
RIL NW 32 25 ED VA	PN 315	25	G 1.1/4" -11	G 1" -11	49,7	20	24,5	52	50
RIL NW 32 40 ED VA	PN 250	25	G 1.1/4" -11	G 1.1/2" -11	49,7	20	28,5	60	60
RIL NW 40 32 ED VA	PN 250	32	G 1.1/2" -11	G 1.1/4" -11	55,0	22	26,5	58	55
RIL NW 50 40 ED VA	PN 160	40	G 2" -11	G 1.1/2" -11	68,0	24	28,5	62	70

PN = Nominal pressure PB = Max. operating pressure

Product versions

RIL ED Reducing adapter, long, Steel

Spare parts

WD V Soft seal for ED fittings