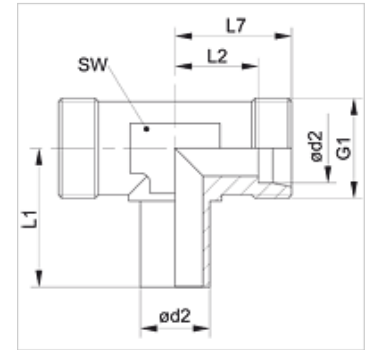


## Properties

<b>Connection 1</b>	Pipe socket not pre-assembled
<b>Sealing form 1</b>	Cutting ring connection
<b>Connection 2 + 3</b>	metric cylindrical outer thread
<b>Sealing form 2 + 3</b>	24° inner cone
<b>Design</b>	Adjustable direction fitting
<b>Construction</b>	T shaped
<b>Standard</b>	ISO 8434-1
<b>Scope of supply</b>	Socket (without union nut and cutting ring)
<b>Material</b>	Stainless steel



## Note

Information about fitting, installation, pressure loads and permissible operating temperatures can be found in the technical information for pipe fittings.

## Item

Identification	Series	Operating pressure	Ø d2 (mm)	G1	L1 (mm)	L2 (mm)	L7 (mm)	AF (mm)
XNET NW 04 HL VA	L	PN 315	6	M 12 x 1.5	26,0	12,0	19	12
XNET NW 06 HL VA	L	PN 315	8	M 14 x 1.5	27,5	14,0	21	12
XNET NW 08 HL VA	L	PN 315	10	M 16 x 1.5	29,0	15,0	22	14
XNET NW 10 HL VA	L	PN 315	12	M 18 x 1.5	29,5	17,0	24	17
XNET NW 13 HL VA	L	PN 315	15	M 22 x 1.5	32,5	21,0	28	19
XNET NW 16 HL VA	L	PN 315	18	M 26 x 1.5	35,5	23,5	31	24
XNET NW 20 HL VA	L	PN 160	22	M 30 x 2	38,5	27,5	35	27
XNET NW 25 HL VA	L	PN 160	28	M 36 x 2	41,5	30,5	38	36
XNET NW 32 HL VA	L	PN 160	35	M 45 x 2	51,0	34,5	45	41
XNET NW 40 HL VA	L	PN 160	42	M 52 x 2	56,0	40,0	51	50
XNET NW 03 HS VA	S	PN 630	6	M 14 x 1.5	27,0	16,0	23	12
XNET NW 04 HS VA	S	PN 630	8	M 16 x 1.5	27,5	17,0	24	14
XNET NW 06 HS VA	S	PN 630	10	M 18 x 1.5	30,0	17,5	25	17
XNET NW 08 HS VA	S	PN 630	12	M 20 x 1.5	31,0	21,5	29	17
XNET NW 10 HS VA	S	PN 630	14	M 22 x 1.5	35,0	22,0	30	19
XNET NW 13 HS VA	S	PN 400	16	M 24 x 1.5	36,5	24,5	33	24
XNET NW 16 HS VA	S	PN 400	20	M 30 x 2	44,5	26,5	37	27
XNET NW 20 HS VA	S	PN 400	25	M 36 x 2	50,0	30,0	42	36
XNET NW 25 HS VA	S	PN 400	30	M 42 x 2	55,0	35,5	49	41
XNET NW 32 HS VA	S	PN 315	38	M 52 x 2	63,0	41,0	57	50

Series: LL = Very light L = Light S = Heavy - PN = Nominal pressure PB = Max. operating pressure - Ø d2 = External pipe diameter

## Product versions

<b>XNET</b>	Fitting, T shaped, Steel
<b>NET VA</b>	Fitting, T shaped, Stainless steel

## Additional elements

<b>VOM</b>	Pre-assembly sockets
------------	----------------------