

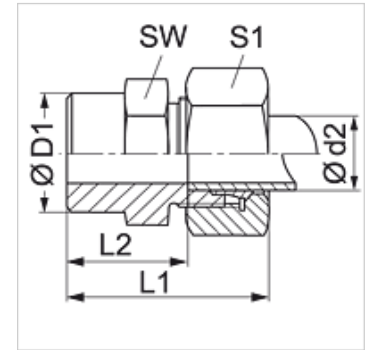
SA MG

Welded on fitting

HANSA FLEX

Properties

Connection 1	Welded on socket for metric pipe
Connection 2	metric cylindrical outer thread
Sealing form 2	24° inner cone
Design	Welded on fitting
Construction	straight
Standard	DIN 2353 ISO 8434-1
Scope of supply	Socket with union nut and cutting ring
Material	Brass



Item

Identification	Series	Operating pressure	Ø d2 (mm)	Ø D1 (mm)	L1 (mm)	L2 (mm)	AF (mm)	S1
SA NW 04 HL MG	L	PN 200	6	10	29	14,0	14	14
SA NW 08 HL MG	L	PN 200	10	14	33	18,0	17	19
SA NW 10 HL MG	L	PN 200	12	16	33	18,0	19	22
SA NW 13 HL MG	L	PN 200	15	19	37	22,0	22	27
SA NW 25 HL MG	L	PN 100	28	32	47	30,5	41	41

Series: LL = Very light L = Light S = Heavy - PN = Nominal pressure PB = Max. operating pressure - Ø d2 = External pipe diameter

Product versions

SA	Welded on fitting, Steel
SA VA	Welded on fitting, Stainless steel