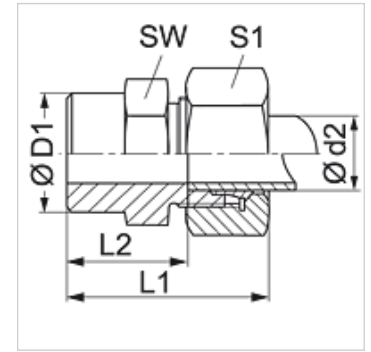


SA VA

Welded on fitting

Properties

Connection 1	Welded on socket for metric pipe
Connection 2	metric cylindrical outer thread
Sealing form 2	24° inner cone
Design	Welded on fitting
Construction	straight
Standard	DIN 2353 ISO 8434-1
Scope of supply	Socket with union nut and cutting ring
Material	Stainless steel



Item

Identification	Series	Operating pressure	Ø d2 (mm)	Ø D1 (mm)	L1 (mm)	L2 (mm)	AF (mm)	S1
SA NW 04 HL VA	L	PN 315	6	10	29	14,0	14	14
SA NW 06 HL VA	L	PN 315	8	12	31	16,0	14	17
SA NW 08 HL VA	L	PN 315	10	14	33	18,0	17	19
SA NW 10 HL VA	L	PN 315	12	16	33	18,0	19	22
SA NW 13 HL VA	L	PN 315	15	19	37	22,0	22	27
SA NW 16 HL VA	L	PN 315	18	22	40	23,5	27	32
SA NW 20 HL VA	L	PN 160	22	27	45	28,5	32	36
SA NW 25 HL VA	L	PN 160	28	32	47	30,5	41	41
SA NW 32 HL VA	L	PN 160	35	40	54	32,5	46	50
SA NW 40 HL VA	L	PN 160	42	46	58	35,0	55	60
SA NW 03 HS VA	S	PN 630	6	11	34	19,0	14	17
SA NW 04 HS VA	S	PN 630	8	13	36	21,0	17	19
SA NW 06 HS VA	S	PN 630	10	15	39	22,5	19	22
SA NW 08 HS VA	S	PN 630	12	17	41	24,5	22	24
SA NW 10 HS VA	S	PN 630	14	19	45	27,0	24	27
SA NW 13 HS VA	S	PN 400	16	21	45	26,6	27	30
SA NW 16 HS VA	S	PN 400	20	26	51	29,5	32	36
SA NW 20 HS VA	S	PN 400	25	31	56	32,0	41	46
SA NW 25 HS VA	S	PN 400	30	36	62	35,5	46	50
SA NW 32 HS VA	S	PN 315	38	44	69	38,0	55	60

Series: LL = Very light L = Light S = Heavy – PN = Nominal pressure PB = Max. operating pressure – Ø d2 = External pipe diameter

Product versions

SA	Welded on fitting, Steel
SA MG	Welded on fitting, Brass
XSA VA	Welded on fitting, Stainless steel