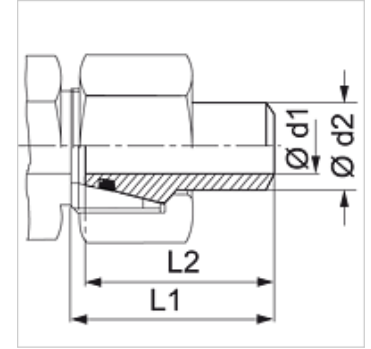


### Properties

<b>Connection 1</b>	Welded on socket for metric pipe
<b>Sealing form 2</b>	24° outer cone with O-ring
<b>Design</b>	Welded on sealing cone
<b>Construction</b>	straight
<b>Standard</b>	DIN 3865 ISO 8434-1
<b>Material</b>	Steel
<b>Surface</b>	phosphate treated and oiled (Znphr5f)



### Note

Information about fitting, installation, pressure loads and permissible operating temperatures can be found in the technical information for pipe fittings.

### Item

Identification	Series	Operating pressure	Ø d1 (mm)	Ø d2 (mm)	L1 (mm)	L2 (mm)	OR
SA NW 03 DKO 1.5	S	PN 528	3	6	32,5	31,0	4.0 x 1.5
SA NW 04 DKO 1.5	S	PN 414	5	8	32,0	30,0	6.0 x 1.5
SA NW 04 DKO 2	S	PN 528	4	8	31,5	31,0	6.0 x 1.5
SA NW 06 DKO 1	S	PN 249	8	10	33,5	32,5	7.5 x 1.5
SA NW 06 DKO 1.5	S	PN 358	7	10	33,5	31,5	7.5 x 1.5
SA NW 06 DKO 2	S	PN 460	6	10	33,5	31,5	7.5 x 1.5
SA NW 08 DKO 1.5	S	PN 305	9	12	33,5	31,5	9.0 x 1.5
SA NW 08 DKO 2	S	PN 393	8	12	33,5	31,5	9.0 x 1.5
SA NW 08 DKO 2.5	S	PN 476	7	12	33,5	31,5	9.0 x 1.5
SA NW 08 DKO 3	S	PN 551	6	12	33,5	32,5	9.0 x 1.5
SA NW 10 DKO 2	S	PN 343	10	14	40,0	37,5	10.0 x 2.0
SA NW 10 DKO 3	S	PN 487	8	14	39,5	38,5	10.0 x 2.0
SA NW 13 DKO 1.5	S	PN 234	13	16	40,5	37,5	12.0 x 2.0
SA NW 13 DKO 2	S	PN 305	12	16	40,5	37,5	12.0 x 2.0
SA NW 13 DKO 2.5	S	PN 372	11	16	40,5	37,5	12.0 x 2.0
SA NW 13 DKO 3	S	PN 400	10	16	40,5	37,5	12.0 x 2.0
SA NW 16 DKO 2	S	PN 249	16	20	47,0	43,5	16.3 x 2.4
SA NW 16 DKO 2.5	S	PN 305	15	20	46,5	43,0	16.3 x 2.4
SA NW 16 DKO 3	S	PN 358	14	20	46,5	43,0	16.3 x 2.4
SA NW 16 DKO 3.5	S	PN 400	13	20	47,5	43,5	16.3 x 2.4
SA NW 16 DKO 4	S	PN 400	12	20	46,5	43,0	16.3 x 2.4
SA NW 20 DKO 2	S	PN 201	21	25	53,0	48,0	20.3 x 2.4
SA NW 20 DKO 3	S	PN 294	19	25	53,0	48,0	20.3 x 2.4
SA NW 20 DKO 4	S	PN 379	17	25	53,0	48,0	20.3 x 2.4
SA NW 20 DKO 5	S	PN 400	15	25	53,0	48,0	20.3 x 2.4
SA NW 25 DKO 3	S	PN 249	24	30	57,5	51,5	25.3 x 2.4
SA NW 25 DKO 4	S	PN 323	22	30	57,5	51,5	25.3 x 2.4
SA NW 25 DKO 5	S	PN 393	20	30	57,5	51,5	25.3 x 2.4
SA NW 25 DKO 6	S	PN 400	18	30	57,0	52,0	25.3 x 2.4
SA NW 32 DKO 4	S	PN 261	30	38	64,0	55,0	33.3 x 2.4
SA NW 32 DKO 5	S	PN 315	28	38	64,0	55,0	33.3 x 2.4
SA NW 32 DKO 6	S	PN 315	26	38	64,0	55,0	33.3 x 2.4
SA NW 32 DKO 7	S	PN 315	24	38	64,0	56,5	33.3 x 2.4

Series: LL = Very light L = Light S = Heavy – PN = Nominal pressure PB = Max. operating pressure – Ø d2 = External pipe diameter

### Product versions

<b>SA DKO VA</b>	Welded on sealing cone, Stainless steel
------------------	---