

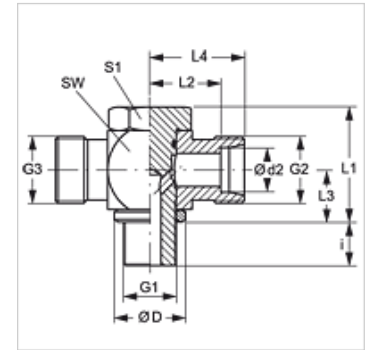
# XSTOM VA

Banjo fitting, throttle free, T shaped

**HANSA FLEX**

## Properties

<b>Connection 1</b>	metric cylindrical outer thread
<b>Sealing form 1</b>	Shape E
<b>Connection 2 + 3</b>	metric cylindrical outer thread
<b>Sealing form 2 + 3</b>	24° inner cone
<b>Design</b>	Banjo couplings, throttle free (high pressure)
<b>Construction</b>	T shaped
<b>Scope of supply</b>	Socket (without union nut and cutting ring)
<b>Material</b>	Stainless steel



## Note

Information about fitting, installation, pressure loads and permissible operating temperatures can be found in the technical information for pipe fittings.

## Ordering information

Seals of NBR  
FPM (Viton) on request

## Item

Identification	Series	Operating pressure	Ø d2 (mm)	G1	G2 + G3	Ø D (mm)	i (mm)	L1 (mm)	L2 (mm)	L3 (mm)	L4 (mm)	AF (mm)	S1
XSTOM 04 LL VA	LL	PN 63	4	M 8 x 1	M 8 x 1	15	8	24,0	11,0	10,5	15	18	17
XSTOM 06 LL VA	LL	PN 63	6	M 10 x 1	M 10 x 1	14	8	24,0	11,5	10,5	17	18	17
XSTOM 08 LL VA	LL	PN 63	8	M 10 x 1	M 12 x 1	14	8	24,0	11,5	10,5	17	18	17
XSTOM NW04 HL VA	L	PN 250	6	M 10 x 1	M 12 x 1.5	14	8	24,0	12,0	10,5	19	17	17
XSTOM NW06 HL VA	L	PN 250	8	M 12 x 1.5	M 14 x 1.5	17	12	30,0	14,5	14,0	21	22	19
XSTOM NW08 HL VA	L	PN 250	10	M 14 x 1.5	M 16 x 1.5	19	12	30,0	15,5	14,0	22	22	19
XSTOM NW10 HL VA	L	PN 250	12	M 16 x 1.5	M 18 x 1.5	21	12	36,0	18,0	16,5	25	27	24
XSTOM NW13 HL VA	L	PN 250	15	M 18 x 1.5	M 22 x 1.5	23	12	39,5	20,5	18,5	26	30	27
XSTOM NW16 HL VA	L	PN 250	18	M 22 x 1.5	M 26 x 1.5	27	14	45,0	21,0	21,5	28	32	30
XSTOM NW20 HL VA	L	PN 160	22	M 26 x 1.5	M 30 x 2	31	16	53,0	27,5	24,0	35	41	36
XSTOM NW25 HL VA	L	PN 160	28	M 33 x 2	M 36 x 2	39	18	66,0	32,0	30,5	40	50	46
XSTOM NW32 HL VA	L	PN 160	35	M 42 x 2	M 45 x 2	49	20	76,0	36,0	35,5	47	60	55
XSTOM NW40 HL VA	L	PN 160	42	M 48 x 2	M 52 x 2	55	22	87,0	40,5	40,5	51	70	60
XSTOM NW03 HS VA	S	PN 315	6	M 12 x 1.5	M 14 x 1.5	17	12	30,0	16,5	14,0	23	22	19
XSTOM NW04 HS VA	S	PN 315	8	M 14 x 1.5	M 16 x 1.5	19	12	30,0	16,5	14,0	23	22	19
XSTOM NW06 HS VA	S	PN 315	10	M 16 x 1.5	M 18 x 1.5	21	12	36,0	18,5	16,5	26	27	24
XSTOM NW08 HS VA	S	PN 315	12	M 18 x 1.5	M 20 x 1.5	23	12	39,5	20,0	18,5	27	30	27
XSTOM NW10 HS VA	S	PN 315	14	M 20 x 1.5	M 22 x 1.5	25	14	43,5	22,5	20,0	30	32	30
XSTOM NW13 HS VA	S	PN 315	16	M 22 x 1.5	M 24 x 1.5	27	14	45,0	22,0	21,5	30	32	30
XSTOM NW16 HS VA	S	PN 160	20	M 27 x 2	M 30 x 2	32	16	53,0	26,5	24,0	37	41	36
XSTOM NW20 HS VA	S	PN 160	25	M 33 x 2	M 36 x 2	39	18	66,0	31,5	30,5	44	50	46
XSTOM NW25 HS VA	S	PN 160	30	M 42 x 2	M 42 x 2	49	20	76,0	37,0	35,5	51	60	55
XSTOM NW32 HS VA	S	PN 160	38	M 48 x 2	M 52 x 2	55	22	87,0	41,5	40,5	57	70	60

Series: LL = Very light L = Light S = Heavy - PN = Nominal pressure PB = Max. operating pressure - Ø d2 = External pipe diameter

## Product versions

**STOM VA** Banjo fitting, throttle free, T shaped, Socket with union nut and cutting ring