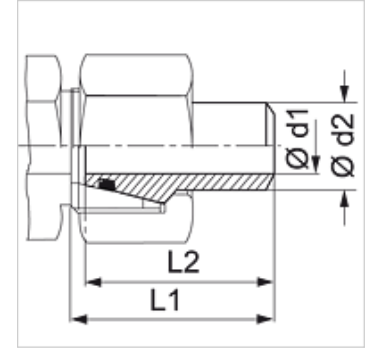


SA DKO VA

Welded on sealing cone

Properties

Connection 1	Welded on socket for metric pipe
Sealing form 2	24° outer cone with O-ring
Design	Welded on sealing cone
Construction	straight
Standard	DIN 3865
Material	Stainless steel



Note

Information about fitting, installation, pressure loads and permissible operating temperatures can be found in the technical information for pipe fittings.

Ordering information

Seals of NBR
FPM (Viton) on request

Item

Identification	Series	Operating pressure	Ø d1 (mm)	Ø d2 (mm)	L1 (mm)	L2 (mm)	OR
SA NW 03 DKO 1.5 VA	S	PN 539	3	6	32,5	31,0	4.0 x 1.5
SA NW 04 DKO 1.5 VA	S	PN 424	5	8	32,0	30,0	6.0 x 1.5
SA NW 04 DKO 2 VA	S	PN 528	4	8	31,5	31,0	6.0 x 1.5
SA NW 06 DKO 1.0 VA	S	PN 242	8	10	35,5	33,0	7.5 x 1.5
SA NW 06 DKO 1.5 VA	S	PN 349	7	10	33,5	31,5	7.5 x 1.5
SA NW 06 DKO 2 VA	S	PN 447	6	10	33,5	31,5	7.5 x 1.5
SA NW 08 DKO 1.5 VA	S	PN 297	9	12	33,5	31,5	9.0 x 1.5
SA NW 08 DKO 2 VA	S	PN 383	8	12	33,5	31,5	9.0 x 1.5
SA NW 08 DKO 2.5 VA	S	PN 476	7	12	33,5	31,5	9.0 x 1.5
SA NW 08 DKO 3.0 VA	S	PN 551	6	12	34,5	32,5	9.0 x 1.5
SA NW 10 DKO 2 VA	S	PN 334	10	14	40,0	37,5	10.0 x 2.0
SA NW 10 DKO 2.5 VA	S	PN 415	9	14	42,0	40,0	10.0 x 2.0
SA NW 10 DKO 3 VA	S	PN 487	8	14	39,5	38,5	10.0 x 2.0
SA NW 13 DKO 2 VA	S	PN 305	12	16	40,5	37,5	12.0 x 2.0
SA NW 13 DKO 2.5 VA	S	PN 362	11	16	40,5	37,5	12.0 x 2.0
SA NW 13 DKO 3 VA	S	PN 400	10	16	40,5	37,5	12.0 x 2.0
SA NW 16 DKO 2 VA	S	PN 249	16	20	47,0	43,5	16.3 x 2.4
SA NW 16 DKO 2.5 VA	S	PN 305	15	20	46,5	43,0	16.3 x 2.4
SA NW 16 DKO 3 VA	S	PN 349	14	20	46,5	43,0	16.3 x 2.4
SA NW 16 DKO 3.5 VA	S	PN 400	13	20	47,5	43,5	16.3 x 2.4
SA NW 16 DKO 4 VA	S	PN 400	12	20	46,5	43,0	16.3 x 2.4
SA NW 20 DKO 3 VA	S	PN 286	19	25	53,0	48,0	20.3 x 2.4
SA NW 20 DKO 3.5 VA	S	PN 328	18	25	49,5	41,5	20.3 x 2.4
SA NW 20 DKO 4 VA	S	PN 369	17	25	53,0	48,0	20.3 x 2.4
SA NW 20 DKO 5 VA	S	PN 400	15	25	53,0	48,0	20.3 x 2.4
SA NW 25 DKO 3 VA	S	PN 242	24	30	57,5	51,5	25.3 x 2.4
SA NW 25 DKO 4 VA	S	PN 314	22	30	57,5	51,5	25.3 x 2.4
SA NW 25 DKO 5 VA	S	PN 383	20	30	57,5	51,5	25.3 x 2.4
SA NW 25 DKO 6 VA	S	PN 400	18	30	57,0	52,0	25.3 x 2.4
SA NW 32 DKO 3 VA	S	PN 195	27	38	54,0	52,0	33.3 x 2.4
SA NW 32 DKO 4 VA	S	PN 254	30	38	64,0	55,0	33.3 x 2.4
SA NW 32 DKO 5 VA	S	PN 315	28	38	64,0	55,0	33.3 x 2.4
SA NW 32 DKO 6 VA	S	PN 315	26	38	64,0	55,0	33.3 x 2.4
SA NW 32 DKO 7 VA	S	PN 315	24	38	64,0	56,5	33.3 x 2.4
SA NW 32 DKO 8 VA	S	PN 315	22	38	59,0	56,5	33.3 x 2.4

Series: LL = Very light L = Light S = Heavy – PN = Nominal pressure PB = Max. operating pressure – Ø d2 = External pipe diameter

Product versions

SA DKO Welded on sealing cone, Steel