

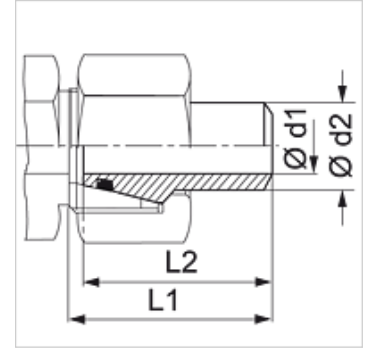
SA DKOL

Welded on sealing cone

HANSA FLEX

Properties

Connection 1	Welded on socket for metric pipe
Sealing form 2	24° outer cone with O-ring
Design	Welded on sealing cone
Construction	straight
Standard	DIN 3865 ISO 8434-1
Material	Steel
Surface	phosphate treated and oiled (Znphr5f)



Note

Information about fitting, installation, pressure loads and permissible operating temperatures can be found in the technical information for pipe fittings.

Item

Identification	Series	Operating pressure	$\varnothing d1$ (mm)	$\varnothing d2$ (mm)	L1 (mm)	L2 (mm)	OR
SA NW 04 DKOL 1	L	PN 315	4	6	32,0	30,5	4.0 x 1.5
SA NW 06 DKOL 1	L	PN 315	6	8	32,0	30,5	6.0 x 1.5
SA NW 08 DKOL 1	L	PN 249	8	10	33,5	32,5	7.5 x 1.5
SA NW 10 DKOL 1.5	L	PN 315	9	12	33,5	32,5	9.0 x 1.5
SA NW 13 DKOL 2.5	L	PN 315	10	15	35,0	34,5	12.0 x 2.0
SA NW 16 DKOL 2.5	L	PN 315	13	18	37,0	36,0	15.0 x 2.0
SA NW 20 DKOL 2.5	L	PN 160	17	22	39,5	37,5	20.0 x 2.0
SA NW 25 DKOL 2.5	L	PN 160	23	28	42,5	41,0	26.0 x 2.0
SA NW 25 DKOL 3	L	PN 160	22	28	42,5	41,0	26.0 x 2.0
SA NW 32 DKOL 3	L	PN 160	29	35	49,4	47,0	32.0 x 2.5
SA NW 32 DKOL 3.5	L	PN 160	28	35	49,5	47,0	32.0 x 2.5
SA NW 40 DKOL 2	L	PN 129	38	42	50,0	47,0	38.0 x 2.5
SA NW 40 DKOL 3	L	PN 160	36	42	50,0	47,0	38.0 x 2.5

Series: LL = Very light L = Light S = Heavy – PN = Nominal pressure PB = Max. operating pressure – d2 = for external pipe diameter

Product versions

SA DKOL VA Welded on sealing cone, Stainless steel