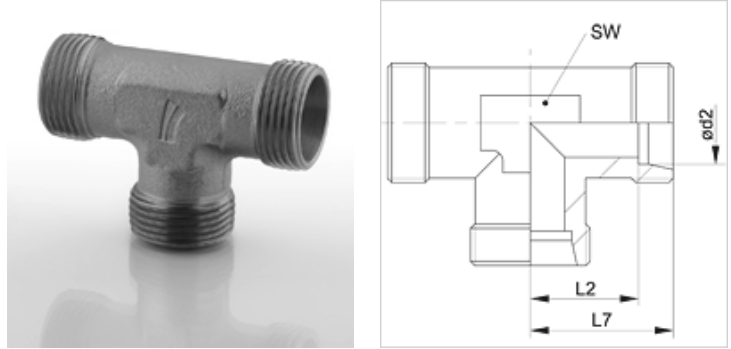


# XT

## Fitting, T shaped

### Properties

Connection 1 - 3	metric cylindrical outer thread
Sealing form 1 - 3	24° inner cone
Design	Fitting
Construction	T shaped
Standard	DIN 2353 ISO 8434-1
Scope of supply	Socket (without union nut and cutting ring)
Material	Steel
Surface	electro galvanised



### Note

Information about fitting, installation, pressure loads and permissible operating temperatures can be found in the technical information for pipe fittings.

### Item

Identification	Series	Operating pressure	Ø d2 (mm)	G1 - G3	L2 (mm)	L7 (mm)	AF (mm)
XT 04 LL	LL	PN 100	4	M 8 x 1	11,0	15	9
XT 05 LL	LL	PN 100	5	M 10 x 1	9,5	15	9
XT 06 LL	LL	PN 100	6	M 10 x 1	9,5	15	9
XT 08 LL	LL	PN 100	8	M 12 x 1	11,5	17	12
XT 10 LL	LL	PN 100	10	M 14 x 1	12,5	18	12
XT 12 LL	LL	PN 100	12	M 16 x 1	15,0	21	14
XT NW 04 HL	L	PN 315	6	M 12 x 1.5	12,0	19	12
XT NW 06 HL	L	PN 315	8	M 14 x 1.5	14,0	21	12
XT NW 08 HL	L	PN 315	10	M 16 x 1.5	15,0	22	14
XT NW 10 HL	L	PN 315	12	M 18 x 1.5	17,0	24	17
XT NW 13 HL	L	PN 315	15	M 22 x 1.5	21,0	28	19
XT NW 16 HL	L	PN 315	18	M 26 x 1.5	23,5	31	24
XT NW 20 HL	L	PN 160	22	M 30 x 2	27,5	35	27
XT NW 25 HL	L	PN 160	28	M 36 x 2	30,5	38	36
XT NW 32 HL	L	PN 160	35	M 45 x 2	34,5	45	41
XT NW 40 HL	L	PN 160	42	M 52 x 2	40,0	51	50
XT NW 03 HS	S	PN 630	6	M 14 x 1.5	16,0	23	12
XT NW 04 HS	S	PN 630	8	M 16 x 1.5	17,0	24	14
XT NW 06 HS	S	PN 630	10	M 18 x 1.5	17,5	25	17
XT NW 08 HS	S	PN 630	12	M 20 x 1.5	21,5	29	17
XT NW 10 HS	S	PN 630	14	M 22 x 1.5	22,0	30	19
XT NW 13 HS	S	PN 400	16	M 24 x 1.5	24,5	33	24
XT NW 16 HS	S	PN 400	20	M 30 x 2	26,5	37	27
XT NW 20 HS	S	PN 400	25	M 36 x 2	30,0	42	36
XT NW 25 HS	S	PN 400	30	M 42 x 2	35,5	49	41
XT NW 32 HS	S	PN 315	38	M 52 x 2	41,0	57	50

Series: LL = Very light L = Light S = Heavy – PN = Nominal pressure PB = Max. operating pressure – Ø d2 = External pipe diameter

### Product versions

XT VA	Fitting, T shaped, Stainless steel
T	Fitting, T shaped, Steel