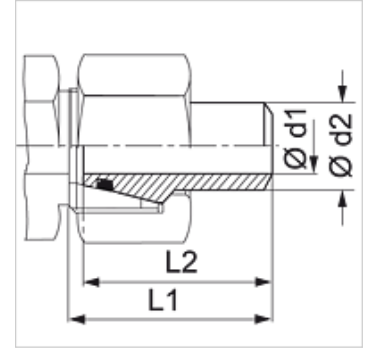


# SA DKOL VA

## Welded on sealing cone

### Properties

<b>Connection 1</b>	Welded on socket for metric pipe
<b>Sealing form 2</b>	24° outer cone with O-ring
<b>Design</b>	Welded on sealing cone
<b>Construction</b>	straight
<b>Standard</b>	DIN 3865
<b>Material</b>	Stainless steel



### Note

Information about fitting, installation, pressure loads and permissible operating temperatures can be found in the technical information for pipe fittings.

### Ordering information

Seals of NBR  
FPM (Viton) on request

### Item

Identification	Series	Operating pressure	Ø d1 (mm)	Ø d2 (mm)	L1 (mm)	L2 (mm)	OR
SA NW 13 DKOL 1.5 VA	L	PN 270	12	15	38,0	36,0	12.0 x 2.0
SA NW 13 DKOL 2 VA	L	PN 315	11	15	38,0	36,0	12.0 x 2.0
SA NW 13 DKOL 2.5 VA	L	PN 315	10	15	35,0	34,5	12.0 x 2.0
SA NW 16 DKOL 1.5 VA	L	PN 225	15	18	39,0	37,0	15.0 x 2.0
SA NW 16 DKOL 2.0 VA	L	PN 300	14	18	39,0	37,0	15.0 x 2.0
SA NW 16 DKOL 2.5 VA	L	PN 315	13	18	37,0	36,0	15.0 x 2.0
SA NW 20 DKOL 2.0 VA	L	PN 160	18	22	40,5	38,5	20.0 x 2.0
SA NW 20 DKOL 2.5 VA	L	PN 160	17	22	39,5	37,5	20.0 x 2.0
SA NW 20 DKOL 3.0 VA	L	PN 160	16	22	40,5	38,5	20.0 x 2.0
SA NW 25 DKOL 2.0 VA	L	PN 160	24	28	43,5	41,5	26.0 x 2.0
SA NW 25 DKOL 2.5 VA	L	PN 160	23	28	53,0	48,0	26.0 x 2.0
SA NW 25 DKOL 3 VA	L	PN 160	22	28	42,5	47,0	26.0 x 2.0
SA NW 32 DKOL 2.0 VA	L	PN 154	31	35	49,0	47,0	32.0 x 2.5
SA NW 32 DKOL 2.5 VA	L	PN 160	30	35	49,0	47,0	32.0 x 2.5
SA NW 32 DKOL 3.0 VA	L	PN 160	29	35	49,0	47,0	32.0 x 2.5
SA NW 32 DKOL 3.5 VA	L	PN 160	28	35	49,5	47,0	32.0 x 2.5
SA NW 32 DKOL 4 VA	L	PN 160	27	35	49,0	47,0	32.0 x 2.5
SA NW 40 DKOL 2.0 VA	L	PN 160	38	42	49,0	47,0	38.0 x 2.5
SA NW 40 DKOL 2.5 VA	L	PN 160	37	42	49,0	47,0	38.0 x 2.5
SA NW 40 DKOL 3 VA	L	PN 160	36	42	50,0	47,0	38.0 x 2.5
SA NW 40 DKOL 4 VA	L	PN 160	34	42	49,0	47,0	38.0 x 2.5

Series: LL = Very light L = Light S = Heavy - PN = Nominal pressure PB = Max. operating pressure - d2 = for external pipe diameter

### Product versions

SA DKOL Welded on sealing cone, Steel