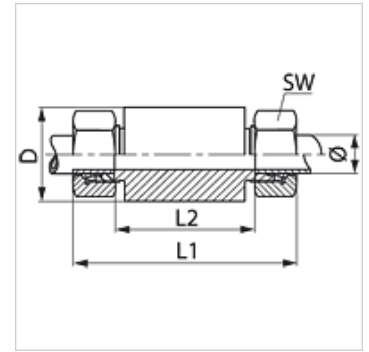


# SE VA

## Bulkhead socket weld fitting

### Properties

<b>Connection 1</b>	metric cylindrical outer thread
<b>Sealing form 1</b>	24° inner cone
<b>Connection 2</b>	metric cylindrical outer thread
<b>Sealing form 2</b>	24° inner cone
<b>Design</b>	Bulkhead socket weld fitting
<b>Construction</b>	straight
<b>Standard</b>	DIN 2353 ISO 8434-1
<b>Scope of supply</b>	Socket with union nut and cutting ring
<b>Material</b>	Stainless steel



### Note

Information about fitting, installation, pressure loads and permissible operating temperatures can be found in the technical information for pipe fittings.

### Item

Identification	Series	Operating pressure	External pipe Ø (mm)	D (mm)	L1 (mm)	L2 (mm)	AF (mm)
SE NW 04 HL VA	L	PN 315	6	18	85	56	14
SE NW 06 HL VA	L	PN 315	8	20	85	56	17
SE NW 08 HL VA	L	PN 315	10	22	87	58	19
SE NW 10 HL VA	L	PN 315	12	25	87	58	22
SE NW 13 HL VA	L	PN 315	15	28	100	70	27
SE NW 16 HL VA	L	PN 315	18	32	101	69	32
SE NW 20 HL VA	L	PN 160	22	36	105	73	36
SE NW 25 HL VA	L	PN 160	28	40	106	73	41
SE NW 32 HL VA	L	PN 160	35	50	114	71	50
SE NW 40 HL VA	L	PN 160	42	60	115	70	60
SE NW 03 HS VA	S	PN 630	6	20	89	60	17
SE NW 04 HS VA	S	PN 630	8	22	89	60	19
SE NW 06 HS VA	S	PN 630	10	25	91	59	22
SE NW 08 HS VA	S	PN 630	12	28	91	59	24
SE NW 10 HS VA	S	PN 630	14	30	107	72	27
SE NW 13 HS VA	S	PN 400	16	35	107	71	30
SE NW 16 HS VA	S	PN 400	20	38	114	71	36
SE NW 20 HS VA	S	PN 400	25	45	120	72	46
SE NW 25 HS VA	S	PN 400	30	50	126	73	50
SE NW 32 HS VA	S	PN 315	38	60	133	72	60

Series: LL = Very light L = Light S = Heavy – PN = Nominal pressure PB = Max. operating pressure – Ø = External pipe diameter

### Product versions

SE	Bulkhead socket weld fitting, Steel
XSE VA	Bulkhead socket weld fitting, Stainless steel