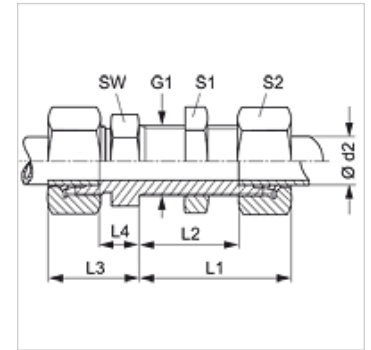


### Properties

Connection 1 + 2	metric cylindrical outer thread
Sealing form 1 + 2	24° inner cone
Design	Bulkhead fitting
Construction	straight
Standard	DIN 2353 ISO 8434-1
Scope of supply	Socket with union nut and cutting ring
Material	Steel
Surface	electro galvanised



### Note

Information about fitting, installation, pressure loads and permissible operating temperatures can be found in the technical information for pipe fittings.

### Item

Identification	Series	Operating pressure	Ø d2 (mm)	G1	L1 (mm)	L2 (mm)	L3 (mm)	L4 (mm)	AF (mm)	S1	S2
SV 16 LL	LL	PN 100	16	M 22 x 1.5	50	32,5	31	14,0	27	27	27
SV NW 04 HL	L	PN 315	6	M 12 x 1.5	42	27,0	22	7,0	17	17	14
SV NW 06 HL	L	PN 315	8	M 14 x 1.5	42	27,0	23	8,0	19	19	17
SV NW 08 HL	L	PN 315	10	M 16 x 1.5	43	28,0	25	10,0	22	22	19
SV NW 10 HL	L	PN 315	12	M 18 x 1.5	44	29,0	25	10,0	24	24	22
SV NW 13 HL	L	PN 315	15	M 22 x 1.5	46	31,0	27	12,0	27	27	27
SV NW 16 HL	L	PN 315	18	M 26 x 1.5	49	32,5	30	13,5	32	32	32
SV NW 20 HL	L	PN 160	22	M 30 x 2	51	34,5	33	16,5	36	36	36
SV NW 25 HL	L	PN 160	28	M 36 x 2	52	35,5	35	18,5	41	41	41
SV NW 32 HL	L	PN 160	35	M 45 x 2	58	36,5	40	18,5	50	50	50
SV NW 40 HL	L	PN 160	42	M 52 x 2	59	36,0	42	19,0	60	60	60
SV NW 03 HS	S	PN 630	6	M 14 x 1.5	44	29,0	27	12,0	19	19	17
SV NW 04 HS	S	PN 630	8	M 16 x 1.5	44	29,0	28	13,0	22	22	22
SV NW 06 HS	S	PN 630	10	M 18 x 1.5	46	29,5	31	14,5	24	24	22
SV NW 08 HS	S	PN 630	12	M 20 x 1.5	47	30,5	31	14,5	27	27	24
SV NW 10 HS	S	PN 630	14	M 22 x 1.5	50	32,0	35	17,0	30	30	27
SV NW 13 HS	S	PN 400	16	M 24 x 1.5	50	31,5	35	16,5	32	32	30
SV NW 16 HS	S	PN 400	20	M 30 x 2	55	33,5	39	17,5	41	41	36
SV NW 20 HS	S	PN 400	25	M 36 x 2	59	35,0	44	20,0	46	46	46
SV NW 25 HS	S	PN 400	30	M 42 x 2	64	37,5	48	21,5	50	50	50
SV NW 32 HS	S	PN 315	38	M 52 x 2	68	37,0	53	22,0	65	65	60

Series: LL = Very light L = Light S = Heavy – PN = Nominal pressure PB = Max. operating pressure – Ø d2 = External pipe diameter

### Product versions

SV MG	Bulkhead fitting, Brass
SV VA	Bulkhead fitting, Stainless steel
XSV	Bulkhead fitting, Steel

### Spare parts

KM	Counter nut for bulkhead fitting
----	----------------------------------