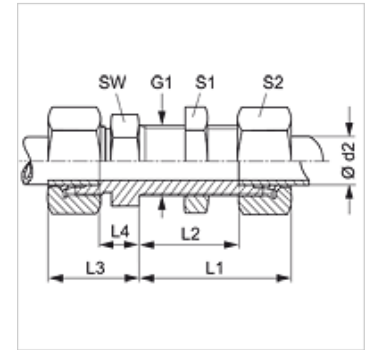


Properties

Connection 1 + 2	metric cylindrical outer thread
Sealing form 1 + 2	24° inner cone
Design	Bulkhead fitting
Construction	straight
Standard	DIN 2353 ISO 8434-1
Scope of supply	Socket with union nut and cutting ring
Material	Brass



Note

Information about fitting, installation, pressure loads and permissible operating temperatures can be found in the technical information for pipe fittings.

Item

Identification	Series	Operating pressure	Ø d2 (mm)	G1	L1 (mm)	L2 (mm)	L3 (mm)	L4 (mm)	AF (mm)	S1	S2
SV NW 04 HL MG	L	PN 200	6	M 12 x 1.5	42	27,0	22	7,0	17	17	14
SV NW 06 HL MG	L	PN 200	8	M 14 x 1.5	42	27,0	23	8,0	19	19	17
SV NW 08 HL MG	L	PN 200	10	M 16 x 1.5	43	28,0	25	10,0	22	22	19
SV NW 10 HL MG	L	PN 200	12	M 18 x 1.5	44	29,0	25	10,0	24	24	22
SV NW 13 HL MG	L	PN 200	15	M 22 x 1.5	46	31,0	27	12,0	27	30	27
SV NW 16 HL MG	L	PN 200	18	M 26 x 1.5	49	32,5	30	13,5	32	36	32
SV NW 20 HL MG	L	PN 100	22	M 30 x 2	51	34,5	33	16,5	36	41	36
SV NW 25 HL MG	L	PN 100	28	M 36 x 2	52	35,5	35	18,5	41	46	41
SV NW 03 HS MG	S	PN 400	6	M 14 x 1.5	44	29,0	27	12,0	19	19	17
SV NW 04 HS MG	S	PN 400	8	M 16 x 1.5	44	29,0	28	13,0	22	22	19
SV NW 06 HS MG	S	PN 400	10	M 18 x 1.5	46	29,5	31	14,5	24	24	22
SV NW 08 HS MG	S	PN 400	12	M 20 x 1.5	47	30,5	31	14,5	27	27	24
SV NW 13 HS MG	S	PN 250	16	M 24 x 1.5	50	31,5	35	16,5	32	32	30
SV NW 16 HS MG	S	PN 250	20	M 30 x 2	55	33,5	39	17,5	41	41	36
SV NW 20 HS MG	S	PN 250	25	M 36 x 2	59	35,0	44	20,0	46	46	46
SV NW 25 HS MG	S	PN 250	30	M 42 x 2	64	37,5	48	21,5	50	50	50

Series: LL = Very light L = Light S = Heavy – PN = Nominal pressure PB = Max. operating pressure – Ø d2 = External pipe diameter

Product versions

SV	Bulkhead fitting, Steel
SV VA	Bulkhead fitting, Stainless steel