

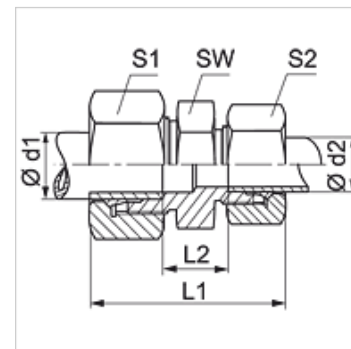
V-LL MG / V-HL MG / V-HS MG

screwed connection

HANSA FLEX

Properties

Connection 1	metric cylindrical outer thread
Sealing form 1	24° inner cone
Connection 2	metric cylindrical outer thread
Sealing form 2	24° inner cone
Design	Fitting
Construction	straight
Standard	ISO 8434-1
Scope of supply	Socket with union nut and cutting ring
Material	Brass



Note

Information about fitting, installation, pressure loads and permissible operating temperatures can be found in the technical information for pipe fittings.

Item

Identification	Series	Operating pressure	Ø d1 (mm)	Ø d2 (mm)	L1 (mm)	L2 (mm)	AF (mm)	S1	S2
V 04 LL MG	LL	PN 63	4	4	31,0	12	9	10	10
V 06 LL MG	LL	PN 63	6	6	32,0	9	11	12	12
V 08 LL MG	LL	PN 63	8	8	35,0	12	12	14	14
V 10 LL MG	LL	PN 63	10	10	35,0	12	14	17	17
V NW 04 HL MG	L	PN 200	6	6	39,0	10	12	14	14
V NW 06 HL 04 MG	L	PN 200	8	6	41,0	11	14	17	14
V NW 06 HL MG	L	PN 200	8	8	40,0	11	14	17	17
V NW 08 HL 04 MG	L	PN 200	10	6	42,0	12	17	19	14
V NW 08 HL 06 MG	L	PN 200	10	8	42,0	12	17	19	17
V NW 08 HL MG	L	PN 200	10	10	42,0	13	17	19	19
V NW 10 HL 04 MG	L	PN 200	12	6	42,0	13	19	22	14
V NW 10 HL 06 MG	L	PN 200	12	8	42,0	13	19	22	17
V NW 10 HL 08 MG	L	PN 200	12	10	44,0	14	19	22	19
V NW 10 HL MG	L	PN 200	12	12	43,0	14	19	22	22
V NW 13 HL 04 MG	L	PN 200	15	6	43,5	14	24	27	14
V NW 13 HL MG	L	PN 200	15	15	46,0	16	24	27	27
V NW 16 HL MG	L	PN 200	18	18	48,0	16	27	32	32
V NW 20 HL MG	L	PN 100	22	22	52,0	20	32	36	36
V NW 25 HL MG	L	PN 100	28	28	54,0	21	41	41	41
V NW 32 HL MG	L	PN 100	35	35	63,0	20	46	50	50
V NW 40 HL MG	L	PN 100	42	42	66,0	21	55	60	60
V NW 03 HS MG	S	PN 400	6	6	45,0	16	14	17	17
V NW 04 HS MG	S	PN 400	8	8	47,0	18	17	19	19
V NW 06 HS MG	S	PN 400	10	10	49,0	17	19	22	22
V NW 08 HS MG	S	PN 400	12	12	51,0	19	22	24	24
V NW 10 HS MG	S	PN 400	14	14	57,0	22	24	27	27
V NW 13 HS MG	S	PN 250	16	16	57,0	21	27	30	30
V NW 16 HS MG	S	PN 250	20	20	66,0	23	32	36	36
V NW 20 HS MG	S	PN 250	25	25	74,0	26	41	46	46
V NW 25 HS MG	S	PN 250	30	30	80,0	27	46	50	50
V NW 32 HS MG	S	PN 200	38	38	90,0	29	55	60	60

Series: LL = Very light L = Light S = Heavy - PN = Nominal pressure PB = Max. operating pressure - Ø d1 = External pipe diameter - Ø d2 = External pipe diameter

Product versions

V-LL / V-HL / V-HS	Fitting, Steel
V-LL VA / V-HL VA / V-HS VA	screwed connection, Stainless steel