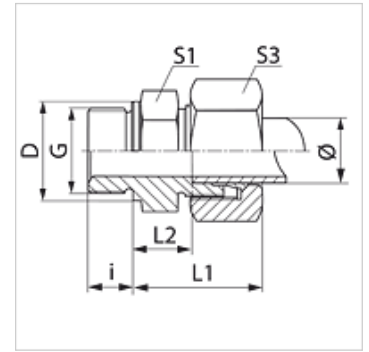


VM MG

Screw in fitting

Properties

Connection 1	metric cylindrical outer thread
Sealing form 1	Shape B
Connection 2	metric cylindrical outer thread
Sealing form 2	24° inner cone
Design	Screw-in fitting
Construction	straight
Standard	DIN 2353 ISO 8434-1
Scope of supply	Socket with union nut and cutting ring
Material	Brass



Note

Information about fitting, installation, pressure loads and permissible operating temperatures can be found in the technical information for pipe fittings.

Item

Identification	Series	Operating pressure	External pipe Ø (mm)	G	D (mm)	i (mm)	L1 (mm)	L2 (mm)	S1	S3
VM NW 04 HL MG	L	PN 200	6	M 10 x 1	14	8	23,0	8,5	14	14
VM NW 06 HL MG	L	PN 200	8	M 12 x 1.5	17	12	25,0	10,0	17	17
VM NW 08 HL MG	L	PN 200	10	M 14 x 1.5	19	12	26,0	11,0	19	19
VM NW 10 HL MG	L	PN 200	12	M 16 x 1.5	21	12	27,0	12,5	22	22
VM NW 13 HL MG	L	PN 160	15	M 18 x 1.5	23	12	29,0	13,5	24	27
VM NW 16 HL MG	L	PN 160	18	M 22 x 1.5	27	14	31,0	14,5	27	32
VM NW 20 HL MG	L	PN 100	22	M 26 x 1.5	31	16	33,0	16,5	32	36
VM NW 25 HL MG	L	PN 100	28	M 33 x 2	39	18	34,0	17,5	41	41
VM NW 32 HL MG	L	PN 100	35	M 42 x 2	49	20	39,0	17,5	50	50
VM NW 03 HS MG	S	PN 250	6	M 12 x 1.5	17	12	28,0	13,0	17	17
VM NW 04 HS MG	S	PN 250	8	M 14 x 1.5	19	12	30,0	15,0	19	19
VM NW 06 HS MG	S	PN 250	10	M 16 x 1.5	21	12	31,0	15,0	22	22
VM NW 10 HS MG	S	PN 250	14	M 20 x 1.5	25	14	37,0	19,0	27	27
VM NW 20 HS MG	S	PN 160	25	M 33 x 2	39	18	47,0	23,0	41	46

Series: LL = Very light L = Light S = Heavy - PN = Nominal pressure PB = Max. operating pressure - Ø = External pipe diameter

Product versions

VM	Screw-in fitting, Steel
VM VA	Screw in fitting, Stainless steel