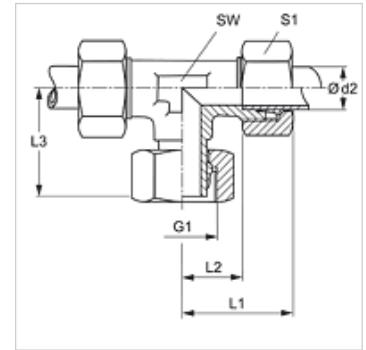


XVET VA

Fitting, T shaped

Properties

Connection 1	metric nut thread
Sealing form 1	Pipe socket with cutting ring
Connection 2 + 3	metric cylindrical outer thread
Sealing form 2 + 3	24° inner cone
Design	Adjustable direction fitting
Construction	T shaped
Standard	DIN 2353 ISO 8434-1
Scope of supply	Socket (without union nut and cutting ring) pre-assembled
Material	Stainless steel



Note

Information about fitting, installation, pressure loads and permissible operating temperatures can be found in the technical information for pipe fittings.

Item

Identification	Series	Operating pressure	Ø d2 (mm)	G1	L1 (mm)	L2 (mm)	L3 (mm)	AF (mm)	S1
XVET NW 04 HL VA	L	PN 315	6	M 12 x 1.5	27,0	12,0	27,0	12	14
XVET NW 06 HL VA	L	PN 315	8	M 14 x 1.5	29,0	14,0	27,0	12	17
XVET NW 08 HL VA	L	PN 315	10	M 16 x 1.5	30,0	15,0	28,5	14	19
XVET NW 10 HL VA	L	PN 315	12	M 18 x 1.5	32,0	17,0	29,0	17	22
XVET NW 13 HL VA	L	PN 315	15	M 22 x 1.5	36,0	21,0	32,0	19	27
XVET NW 16 HL VA	L	PN 315	18	M 26 x 1.5	40,0	23,5	35,0	24	32
XVET NW 20 HL VA	L	PN 160	22	M 30 x 2	44,0	27,5	38,0	27	36
XVET NW 25 HL VA	L	PN 160	28	M 36 x 2	47,0	30,5	41,5	36	41
XVET NW 32 HL VA	L	PN 160	35	M 45 x 2	56,0	34,5	51,0	41	50
XVET NW 40 HL VA	L	PN 160	42	M 52 x 2	63,0	40,0	56,0	50	60
XVET NW 03 HS VA	S	PN 630	6	M 14 x 1.5	31,0	16,0	27,0	12	17
XVET NW 04 HS VA	S	PN 630	8	M 16 x 1.5	32,0	17,0	27,0	14	19
XVET NW 06 HS VA	S	PN 630	10	M 18 x 1.5	34,0	17,5	29,5	17	22
XVET NW 08 HS VA	S	PN 630	12	M 20 x 1.5	38,0	21,5	30,5	17	24
XVET NW 10 HS VA	S	PN 630	14	M 22 x 1.5	40,0	22,0	34,5	19	27
XVET NW 13 HS VA	S	PN 400	16	M 24 x 1.5	43,0	24,5	36,0	24	30
XVET NW 16 HS VA	S	PN 400	20	M 30 x 2	48,0	26,5	44,0	27	36
XVET NW 20 HS VA	S	PN 400	25	M 36 x 2	54,0	30,0	49,5	36	46
XVET NW 25 HS VA	S	PN 400	30	M 42 x 2	62,0	36,5	55,0	41	50
XVET NW 32 HS VA	S	PN 315	38	M 52 x 2	72,0	41,0	63,0	50	60

Series: LL = Very light L = Light S = Heavy - PN = Nominal pressure PB = Max. operating pressure - Ø d2 = External pipe diameter

Product versions

XVET	Fitting, T shaped, Steel
VET VA	Fitting, T shaped, Stainless steel