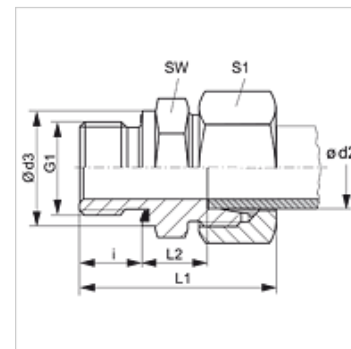


Properties

Connection 1	metric cylindrical outer thread
Sealing form 1	Shape E
Connection 2	metric cylindrical outer thread
Sealing form 2	24° inner cone
Design	Screw-in fitting
Construction	straight
Standard	DIN 2353 ISO 8434-1
Scope of supply	Socket with union nut and cutting ring
Material	Stainless steel



Note

Information about fitting, installation, pressure loads and permissible operating temperatures can be found in the technical information for pipe fittings.

Ordering information

Seals of NBR
FPM (Viton) on request

Item	Series	Operating pressure	Ø d2 (mm)	G1	Ø d3 (mm)	i (mm)	L1 (mm)	L2 (mm)	AF (mm)	S1
VM NW 04 HL ED VA	L	PN 315	6	M 10 x 1	14,0	8	31,0	8,5	14	14
VM NW 04 HL 12 ED VA	L	PN 315	6	M 12 x 1.5	17,0	12	36,5	8,5	17	14
VM NW 04 HL 14 ED VA	L	PN 315	6	M 14 x 1.5	19,0	12	39,0	10,0	19	14
VM NW 06 HL 10 ED VA	L	PN 315	8	M 10 x 1	14,0	8	34,0	9,5	17	17
VM NW 06 HL ED VA	L	PN 315	8	M 12 x 1.5	17,0	12	37,0	10,0	17	17
VM NW 06 HL 14 ED VA	L	PN 315	8	M 14 x 1.5	19,0	12	39,0	10,0	19	17
VM NW 06 HL 16 ED VA	L	PN 315	8	M 16 x 1.5	21,7	12	39,5	10,0	22	17
VM NW 06 HL 18 ED VA	L	PN 315	8	M 18 x 1.5	24,0	12	39,5	10,0	24	17
VM NW 08 HL 10 ED VA	L	PN 315	10	M 10 x 1	14,0	8	34,0	11,0	17	19
VM NW 08 HL 12 ED VA	L	PN 315	10	M 12 x 1.5	17,0	12	40,5	11,0	17	19
VM NW 08 HL ED VA	L	PN 315	10	M 14 x 1.5	19,0	12	38,0	11,0	19	19
VM NW 08 HL 16 ED VA	L	PN 315	10	M 16 x 1.5	21,7	12	38,0	12,5	22	19
VM NW 08 HL 18 ED VA	L	PN 315	10	M 18 x 1.5	23,7	12	42,0	12,5	24	19
VM NW 08 HL 22 ED VA	L	PN 315	10	M 22 x 1.5	27,0	14	44,0	12,5	27	19
VM NW 10 HL 12 ED VA	L	PN 315	12	M 12 x 1.5	17,0	12	40,0	13,0	19	22
VM NW 10 HL 14 ED VA	L	PN 315	12	M 14 x 1.5	19,0	12	40,0	11,0	19	22
VM NW 10 HL ED VA	L	PN 315	12	M 16 x 1.5	21,7	12	39,0	12,5	22	22
VM NW 10 HL 18 ED VA	L	PN 315	12	M 18 x 1.5	23,7	12	42,0	17,0	24	22
VM NW 10 HL 22 ED VA	L	PN 315	12	M 22 x 1.5	27,0	14	46,0	14,0	27	22
VM NW 13 HL ED VA	L	PN 315	15	M 18 x 1.5	23,7	12	41,0	13,5	24	27
VM NW 13 HL 16 ED VA	L	PN 315	15	M 16 x 1.5	22,0	12	44,0	13,0	24	27
VM NW 13 HL 22 ED VA	L	PN 315	15	M 22 x 1.5	27,0	14	47,0	14,5	27	27
VM NW 16 HL 18 ED VA	L	PN 315	18	M 18 x 1.5	24,0	12	45,0	14,0	27	32
VM NW 16 HL ED VA	L	PN 315	18	M 22 x 1.5	27,0	14	45,0	14,5	27	32
VM NW 20 HL ED VA	L	PN 160	22	M 26 x 1.5	31,7	16	49,0	16,5	32	36
VM NW 25 HL ED VA	L	PN 160	28	M 33 x 2	39,7	18	52,0	17,5	41	41
VM NW 32 HL ED VA	L	PN 160	35	M 42 x 2	49,7	20	59,0	17,5	50	50
VM NW 40 HL ED VA	L	PN 160	42	M 48 x 2	55,0	22	64,0	19,0	55	60
VM NW 03 HS ED VA	S	PN 630	6	M 12 x 1.5	17,0	12	40,0	13,0	17	17
VM NW 03 HS 14 ED VA	S	PN 315	6	M 14 x 1.5	19,0	12	40,0	10,0	19	14
VM NW 04 HS ED VA	S	PN 630	8	M 14 x 1.5	19,0	12	42,0	15,0	19	19
VM NW 06 HS ED VA	S	PN 630	10	M 16 x 1.5	21,7	12	43,0	15,0	22	22
VM NW 08 HS 14 ED VA	S	PN 630	12	M 14 x 1.5	19,0	12	45,0	16,5	22	24
VM NW 08 HS ED VA	S	PN 630	12	M 18 x 1.5	23,7	12	45,0	17,0	24	24
VM NW 10 HS ED VA	S	PN 630	14	M 20 x 1.5	25,7	14	53,0	19,0	27	27
VM NW 13 HS 18 ED VA	S	PN 630	16	M 18 x 1.5	24,0	12	48,5	18,0	27	30
VM NW 13 HS ED VA	S	PN 400	16	M 22 x 1.5	27,0	14	51,0	18,5	27	30



Item										
Identification	Series	Operating pressure	Ø d2 (mm)	G1	Ø d3 (mm)	i (mm)	L1 (mm)	L2 (mm)	AF (mm)	S1
VM NW 16 HS ED VA	S	PN 400	20	M 27 x 2	32,0	16	53,0	20,5	32	36
VM NW 20 HS ED VA	S	PN 400	25	M 33 x 2	39,7	18	65,0	23,0	41	46
VM NW 25 HS ED VA	S	PN 400	30	M 42 x 2	49,7	20	70,0	23,5	50	50
VM NW 32 HS ED VA	S	PN 315	38	M 48 x 2	55,0	22	79,0	26,0	55	60

Series: LL = Very light L = Light S = Heavy – PN = Nominal pressure PB = Max. operating pressure – Ø d2 = External pipe diameter

Product versions

VM ED

XVM ED VA

Spare parts

WD V Soft seal for ED fittings