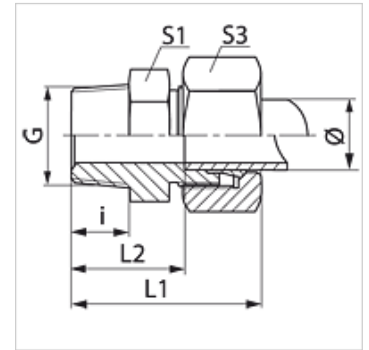


VMK MG

Screw in fitting

Properties

Connection 1	metric conical outer thread
Sealing form 1	thread seal
Connection 2	metric cylindrical outer thread
Sealing form 2	24° inner cone
Design	Screw-in fitting
Construction	straight
Standard	DIN 2353 ISO 8434-1
Scope of supply	Socket with union nut and cutting ring
Material	Brass



Item

Identification	Series	Operating pressure	External pipe Ø (mm)	G	i (mm)	L1 (mm)	L2 (mm)	S1	S3
VM 04 LL MG	LL	PN 63	4	M 8 x 1 K	8	26,0	16,0	11	10
VM 06 LL MG	LL	PN 63	6	M 10 x 1 K	8	26,0	14,5	11	12
VM 08 LL MG	LL	PN 63	8	M 10 x 1 K	8	28,0	16,5	12	14

Series: LL = Very light L = Light S = Heavy – PN = Nominal pressure PB = Max. operating pressure – Ø = External pipe diameter

Product versions

VMK	Screw-in fitting, Steel
VMK VA	Screw in fitting, Stainless steel