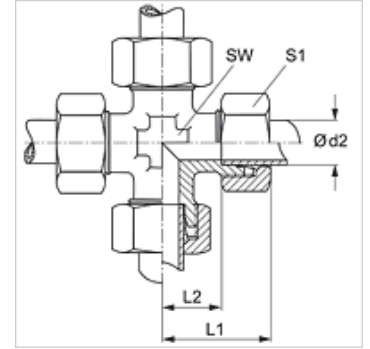


# K HF

Fitting, cross shaped, French series

## Properties

<b>Connection 1 - 4</b>	metric cylindrical outer thread
<b>Sealing form 1 - 4</b>	24° inner cone
<b>Design</b>	Fitting
<b>Construction type</b>	French series
<b>Construction</b>	K shaped
<b>Scope of supply</b>	Socket with union nut and cutting ring
<b>Material</b>	Steel
<b>Surface</b>	electro galvanised



## Note

Information about fitting, installation, pressure loads and permissible operating temperatures can be found in the technical information for pipe fittings.

## Item

Identification	Operating pressure	Ø d2 (mm)	L1 (mm)	L2 (mm)	AF (mm)	S1
<b>K NW 10 HF</b>	PN 400	13,25	38,5	16	19	27
<b>K NW 13 HF</b>	PN 250	16,75	41,5	18	24	30
<b>K NW 16 HF</b>	PN 250	21,25	47,0	23	30	36

Series: LL = Very light L = Light S = Heavy – PN = Nominal pressure PB = Max. operating pressure – Ø d2 = External pipe diameter