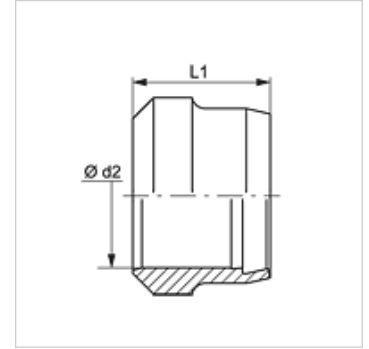


# SRD-F

Cutting ring

## Properties

<b>Design</b>	Cutting ring
<b>Construction type</b>	French series
<b>Material</b>	Steel
<b>Surface</b>	electro galvanised



## Note

Information about fitting, installation, pressure loads and permissible operating temperatures can be found in the technical information for pipe fittings.

## Item

Identification	Operating pressure	Ø d2 (mm)	L1 (mm)
<b>SRD 13</b>	PN 400	13,25	10,0
<b>SRD 17</b>	PN 400	16,75	10,0
<b>SRD 21</b>	PN 250	21,25	10,0
<b>SRD 27</b>	PN 250	26,75	10,5
<b>SRD 33</b>	PN 160	33,50	10,5

Series: LL = Very light L = Light S = Heavy – PN = Nominal pressure PB = Max. operating pressure – Ø d2 = External pipe diameter