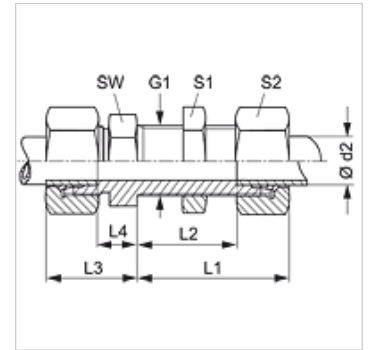


# SV HF

## Bulkhead fitting, French series

### Properties

Connection 1 + 2	metric cylindrical outer thread
Sealing form 1 + 2	24° inner cone
Design	Bulkhead fitting
Construction type	French series
Construction	straight
Scope of supply	Socket with union nut and cutting ring
Material	Steel
Surface	electro galvanised



### Note

Information about fitting, installation, pressure loads and permissible operating temperatures can be found in the technical information for pipe fittings.

### Item

Identification	Operating pressure	Ø d2 (mm)	G1	L1 (mm)	L2 (mm)	L3 (mm)	L4 (mm)	AF (mm)	S1	S2
SV NW 10 HF	PN 400	13,25	M 20 x 1.5	47,5	25	32,5	10	27	27	27
SV NW 13 HF	PN 250	16,75	M 24 x 1.5	49,5	26	34,5	11	30	30	30
SV NW 16 HF	PN 250	21,25	M 30 x 1.5	52,0	28	37,0	13	36	36	36
SV NW 20 HF	PN 160	26,75	M 36 x 1.5	54,0	29	40,0	15	42	42	42
SV NW 25 HF	PN 160	33,50	M 45 x 1.5	58,0	33	44,0	19	55	55	55

Series: LL = Very light L = Light S = Heavy – PN = Nominal pressure PB = Max. operating pressure – Ø d2 = External pipe diameter