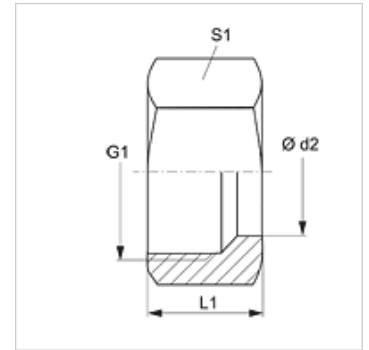


# UEM F

## Union nut F

### Properties

<b>Connection 1</b>	metric nut thread
<b>Design</b>	Union nut
<b>Construction type</b>	French series
<b>Material</b>	Steel
<b>Surface</b>	electro galvanised



### Note

Information about fitting, installation, pressure loads and permissible operating temperatures can be found in the technical information for pipe fittings.

### Item

Identification	Operating pressure	Ø d2 (mm)	G1	L1 (mm)	S1
<b>UEM NW 10 F</b>	PN 400	13,25	M 20 x 1.5	17,0	27
<b>UEM NW 13 F</b>	PN 400	16,75	M 24 x 1.5	18,0	30
<b>UEM NW 16 F</b>	PN 250	21,25	M 30 x 1.5	20,5	36
<b>UEM NW 20 F</b>	PN 250	26,75	M 36 x 1.5	21,5	42
<b>UEM NW 25 F</b>	PN 160	33,50	M 45 x 1.5	23,5	55

Series: LL = Very light L = Light S = Heavy – PN = Nominal pressure PB = Max. operating pressure – Ø d2 = External pipe diameter