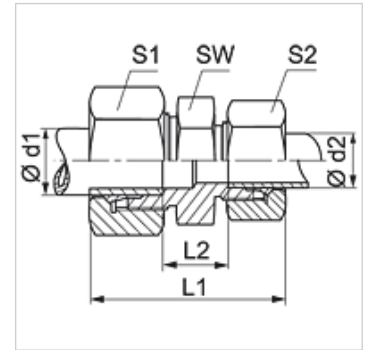


V HF

Fitting, French series

Properties

Connection 1 + 2	metric cylindrical outer thread
Sealing form 1 + 2	24° inner cone
Design	Fitting
Construction type	French series
Construction	straight
Scope of supply	Socket with union nut and cutting ring
Material	Steel
Surface	electro galvanised



Note

Information about fitting, installation, pressure loads and permissible operating temperatures can be found in the technical information for pipe fittings.

Item

Identification	Operating pressure	Ø d1 (mm)	Ø d2 (mm)	L1 (mm)	L2 (mm)	AF (mm)	S1	S2
V NW 10 HF	PN 400	13,25	13,25	58,0	13	22	27	27
V NW 13 HF 10	PN 250	16,75	13,25	60,0	14	27	30	27
V NW 13 HF	PN 250	16,75	16,75	61,0	14	27	30	30
V NW 16 HF 13	PN 250	21,25	16,75	64,5	17	32	36	30
V NW 16 HF	PN 250	21,25	21,25	67,0	19	32	36	36
V NW 20 HF 13	PN 250	26,75	16,75	66,5	18	41	42	30
V NW 20 HF	PN 250	26,75	26,75	70,0	20	36	42	42
V NW 25 HF 16	PN 160	33,50	21,25	73,0	24	46	55	36
V NW 25 HF 20	PN 160	33,50	26,75	74,0	24	46	55	42
V NW 25 HF	PN 160	33,50	33,50	76,0	26	46	55	55

Series: LL = Very light L = Light S = Heavy – PN = Nominal pressure PB = Max. operating pressure – Ø d2 = External pipe diameter