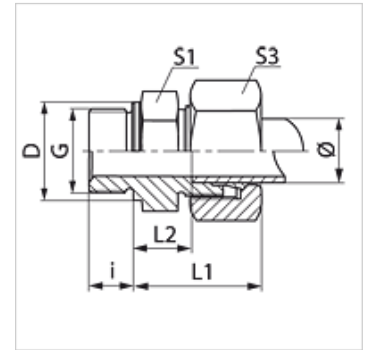


Properties

Connection 1	BSP external thread, cylindrical
Sealing form 1	Shape B
Connection 2	metric cylindrical outer thread
Sealing form 2	24° inner cone
Design	Screw-in fitting
Construction	straight
Standard	DIN 2353 ISO 8434-1
Scope of supply	Socket with union nut and cutting ring
Material	Stainless steel



Note

Information about fitting, installation, pressure loads and permissible operating temperatures can be found in the technical information for pipe fittings.

Item

Identification	Series	Operating pressure	External pipe Ø (mm)	G	D (mm)	i (mm)	L1 (mm)	L2 (mm)	S1	S3
VR NW 04 HL VA	L	PN 315	6	G 1/8" -28	14	8	23,0	8,5	14	14
VR NW 04 HL 1/4 VA	L	PN 315	6	G 1/4" -19	18	12	24,5	10,0	19	14
VR NW 04 HL 3/8 VA	L	PN 315	6	G 3/8" -19	22	12	26,0	11,5	22	14
VR NW 04 HL 1/2 VA	L	PN 315	6	G 1/2" -14	26	14	26,5	12,0	27	14
VR NW 06 HL 1/8 VA	L	PN 315	8	G 1/8" -28	14	8	24,0	9,0	14	17
VR NW 06 HL VA	L	PN 315	8	G 1/4" -19	18	12	25,0	10,0	19	17
VR NW 06 HL 3/8 VA	L	PN 315	8	G 3/8" -19	22	12	26,5	11,5	22	17
VR NW 06 HL 1/2 VA	L	PN 315	8	G 1/2" -14	26	14	27,0	12,0	27	17
VR NW 08 HL 1/8 VA	L	PN 315	10	G 1/8" -28	14	8	25,5	10,5	17	19
VR NW 08 HL VA	L	PN 315	10	G 1/4" -19	18	12	26,0	11,0	19	19
VR NW 08 HL 3/8 VA	L	PN 315	10	G 3/8" -19	22	12	27,5	12,5	22	19
VR NW 08 HL 1/2 VA	L	PN 315	10	G 1/2" -14	26	14	28,0	13,0	27	19
VR NW 08 HL 3/4 VA	L	PN 315	10	G 3/4" -14	32	16	31,0	14,0	32	19
VR NW 10 HL 1/8 VA	L	PN 315	12	G 1/8" -28	14	8	27,0	12,0	17	22
VR NW 10 HL 1/4 VA	L	PN 315	12	G 1/4" -19	18	12	26,5	12,0	19	22
VR NW 10 HL VA	L	PN 315	12	G 3/8" -19	22	12	27,0	12,5	22	22
VR NW 10 HL 1/2 VA	L	PN 315	12	G 1/2" -14	26	14	27,5	13,0	27	22
VR NW 10 HL 3/4 VA	L	PN 315	12	G 3/4" -14	32	16	28,5	14,0	32	22
VR NW 13 HL 1/4 VA	L	PN 315	15	G 1/4" -19	18	12	29,0	14,0	19	27
VR NW 13 HL VA	L	PN 315	15	G 1/2" -14	26	14	29,0	14,0	27	27
VR NW 13 HL 3/8 VA	L	PN 315	15	G 3/8" -19	22	12	29,0	14,0	24	27
VR NW 13 HL 3/4 VA	L	PN 315	15	G 3/4" -14	32	16	30,0	15,0	32	27
VR NW 16 HL VA	L	PN 315	18	G 1/2" -14	26	14	31,0	14,5	27	32
VR NW 16 HL 3/8 VA	L	PN 315	18	G 3/8" -19	22	12	30,5	14,0	27	32
VR NW 16 HL 3/4 VA	L	PN 315	18	G 3/4" -14	32	16	31,0	14,5	32	32
VR NW 16 HL 1 VA	L	PN 315	18	G 1" -11	39	18	31,0	17,5	41	32
VR NW 20 HL 3/8 VA	L	PN 160	22	G 3/8" -19	22	12	49,0	16,0	32	36
VR NW 20 HL 1/2 VA	L	PN 160	22	G 1/2" -14	26	14	33,0	16,5	32	36
VR NW 20 HL VA	L	PN 160	22	G 3/4" -14	32	16	33,0	16,5	32	36
VR NW 20 HL 1 VA	L	PN 160	22	G 1" -11	39	18	34,0	17,5	41	36
VR NW 20 HL 1 1/4 VA	L	PN 160	22	G 1.1/4" -11	49	20	39,0	17,5	50	36
VR NW 25 HL 1/2 VA	L	PN 160	28	G 1/2" -14	26	14	33,0	18,5	41	41
VR NW 25 HL 3/4 VA	L	PN 160	28	G 3/4" -14	32	16	34,0	17,5	41	41
VR NW 25 HL VA	L	PN 160	28	G 1" -11	39	18	34,0	17,5	41	41
VR NW 25 HL 1 1/4 VA	L	PN 160	28	G 1.1/4" -11	49	20	39,0	17,5	50	41
VR NW 32 HL 1/2 VA	L	PN 160	35	G 1/2" -14	26	14	39,0	17,5	46	50
VR NW 32 HL 3/4 VA	L	PN 160	35	G 3/4" -14	32	16	39,0	17,5	41	50
VR NW 32 HL 1 VA	L	PN 160	35	G 1" -11	39	18	40,0	18,5	50	50
VR NW 32 HL VA	L	PN 160	35	G 1.1/4" -11	49	20	39,0	17,5	50	50
VR NW 32 HL 1 1/2 VA	L	PN 160	35	G 1.1/2" -11	55	22	40,0	19,0	55	50
VR NW 40 HL 1 VA	L	PN 160	42	G 1" -11	39	18	47,0	19,0	55	60
VR NW 40 HL 1 1/4 VA	L	PN 160	42	G 1.1/4" -11	49	20	42,0	17,5	50	60
VR NW 40 HL VA	L	PN 160	42	G 1.1/2" -11	55	22	42,0	19,0	55	60



Item										
Identification	Series	Operating pressure	External pipe Ø (mm)	G	D (mm)	i (mm)	L1 (mm)	L2 (mm)	S1	S3
VR NW 03 HS 1/8 VA	S	PN 400	6	G 1/8" -28	14	8	28,0	12,0	17	17
VR NW 03 HS VA	S	PN 400	6	G 1/4" -19	18	12	28,0	13,0	19	17
VR NW 03 HS 3/8 VA	S	PN 400	6	G 3/8" -19	22	12	32,5	17,5	22	17
VR NW 03 HS 1/2 VA	S	PN 400	6	G 1/2" -14	26	14	33,0	18,0	27	17
VR NW 03 HS 3/4 VA	S	PN 400	6	G 3/4" -14	32	16	36,0	17,5	32	19
VR NW 04 HS 1/8 VA	S	PN 400	8	G 1/8" -28	14	12	30,0	15,0	19	19
VR NW 04 HS VA	S	PN 400	8	G 1/4" -19	18	12	30,0	15,0	19	19
VR NW 04 HS 3/8 VA	S	PN 400	8	G 3/8" -19	22	12	30,5	15,5	22	19
VR NW 04 HS 1/2 VA	S	PN 400	8	G 1/2" -14	26	14	34,0	17,5	27	19
VR NW 06 HS VA	S	PN 400	10	G 3/8" -19	22	12	31,0	15,0	22	22
VR NW 06 HS 1/8 VA	S	PN 400	10	G 1/8" -28	14	8	28,0	13,5	19	22
VR NW 06 HS 1/4 VA	S	PN 400	10	G 1/4" -19	18	12	30,5	14,5	22	22
VR NW 06 HS 1/2 VA	S	PN 400	10	G 1/2" -14	26	14	33,5	17,5	27	22
VR NW 06 HS 3/4 VA	S	PN 400	10	G 3/4" -14	32	16	36,0	17,5	32	22
VR NW 08 HS VA	S	PN 400	12	G 3/8" -19	22	12	33,0	17,0	22	24
VR NW 08 HS 1/4 VA	S	PN 400	12	G 1/4" -19	18	12	32,5	16,5	22	24
VR NW 08 HS 1/2 VA	S	PN 400	12	G 1/2" -14	26	14	33,5	17,5	27	24
VR NW 08 HS 3/4 VA	S	PN 400	12	G 3/4" -14	32	16	35,0	19,0	32	24
VR NW 10 HS 1/4 VA	S	PN 400	14	G 1/4" -19	18	12	34,0	16,0	24	27
VR NW 10 HS VA	S	PN 400	14	G 1/2" -14	26	14	37,0	19,0	27	27
VR NW 10 HS 3/8 VA	S	PN 400	14	G 3/8" -19	22	12	36,5	18,5	24	27
VR NW 10 HS 3/4 VA	S	PN 400	14	G 3/4" -14	32	16	36,5	18,5	32	27
VR NW 10 HS 1 VA	S	PN 630	14	G 1" -11	39	18	41,0	23,0	41	27
VR NW 13 HS 1/4 VA	S	PN 400	16	G 1/4" -19	22	12	37,0	18,5	27	30
VR NW 13 HS VA	S	PN 400	16	G 1/2" -14	26	14	37,0	18,5	27	30
VR NW 13 HS 3/8 VA	S	PN 400	16	G 3/8" -19	22	12	37,0	18,5	27	30
VR NW 13 HS 3/4 VA	S	PN 400	16	G 3/4" -14	32	16	39,0	20,5	32	30
VR NW 13 HS 1 VA	S	PN 400	16	G 1" -11	39	18	43,5	22,5	41	30
VR NW 16 HS 3/8 VA	S	PN 400	20	G 3/8" -19	22	12	40,5	18,0	32	36
VR NW 16 HS 1/2 VA	S	PN 400	20	G 1/2" -14	26	14	44,0	22,5	32	36
VR NW 16 HS VA	S	PN 400	20	G 3/4" -14	39	18	44,0	22,5	32	36
VR NW 16 HS 1 VA	S	PN 250	20	G 1" -11	39	18	42,0	17,5	41	36
VR NW 16 HS 1 1/4 VA	S	PN 400	20	G 1.1/4" -11	49	20	50,0	22,5	50	36
VR NW 16 HS 1 1/2 VA	S	PN 400	20	G 1.1/2" -11	55	22	47,0	25,5	55	36
VR NW 20 HS 1/2 VA	S	PN 250	25	G 1/2" -14	26	14	47,0	26,5	41	46
VR NW 20 HS 3/4 VA	S	PN 250	25	G 3/4" -14	32	16	47,0	23,0	41	46
VR NW 20 HS VA	S	PN 250	25	G 1" -11	39	18	47,0	23,0	41	46
VR NW 20 HS 1 1/4 VA	S	PN 160	25	G 1.1/4" -11	49	20	47,0	23,0	50	46
VR NW 20 HS 1 1/2 VA	S	PN 400	25	G 1.1/2" -11	55	22	50,0	26,0	55	46
VR NW 25 HS 3/4 VA	S	PN 160	30	G 3/4" -14	32	16	50,0	23,5	46	50
VR NW 25 HS 1 VA	S	PN 160	30	G 1" -11	39	18	50,0	23,5	46	50
VR NW 25 HS VA	S	PN 160	30	G 1.1/4" -11	49	20	50,0	23,5	50	50
VR NW 25 HS 1 1/2 VA	S	PN 160	30	G 1.1/2" -11	55	22	50,0	23,5	55	50
VR NW 32 HS VA	S	PN 160	38	G 1.1/2" -11	55	22	57,0	26,0	55	60
VR NW 32 HS 1 VA	S	PN 160	38	G 1" -11	39	18	57,0	26,0	55	60
VR NW 32 HS 1 1/4 VA	S	PN 160	38	G 1.1/4" -11	49	20	57,0	26,0	55	60

Series: LL = Very light L = Light S = Heavy - PN = Nominal pressure PB = Max. operating pressure - Ø = External pipe diameter

Product versions

VR	Screw-in fitting, Steel
VR MG	Screw in fitting, Brass
XVR VA	Screw-in fitting, Stainless steel