

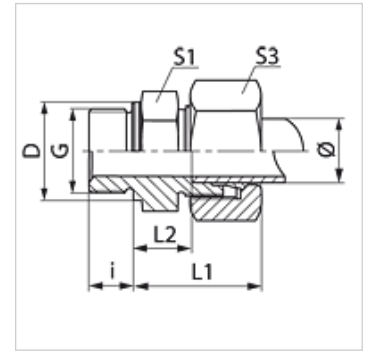
# VR HF

Screw-in fitting, French series

**HANSA FLEX**

## Properties

<b>Connection 1</b>	BSP external thread, cylindrical
<b>Sealing form 1</b>	Shape B
<b>Connection 2</b>	metric cylindrical outer thread
<b>Sealing form 2</b>	24° inner cone
<b>Design</b>	Screw-in fitting
<b>Construction type</b>	French series
<b>Construction</b>	straight
<b>Scope of supply</b>	Socket with union nut and cutting ring
<b>Material</b>	Steel
<b>Surface</b>	electro galvanised



## Note

Information about fitting, installation, pressure loads and permissible operating temperatures can be found in the technical information for pipe fittings.

## Item

Identification	Operating pressure	External pipe Ø (mm)	G	D (mm)	i (mm)	L1 (mm)	L2 (mm)	S1	S3
VR NW 10 HF 1/4	PN 400	13,25	G 1/4" -19	18	10	33,0	10,5	22	27
VR NW 10 HF	PN 400	13,25	G 3/8" -19	22	10	34,5	12,0	22	27
VR NW 10 HF 1/2	PN 400	13,25	G 1/2" -14	26	10	34,5	12,0	22	27
VR NW 13 HF 1/4	PN 250	16,75	G 1/4" -19	18	10	34,5	12,0	27	30
VR NW 13 HF 3/8	PN 250	16,75	G 3/8" -19	22	10	35,5	12,0	27	30
VR NW 13 HF	PN 250	16,75	G 1/2" -14	26	12	36,5	13,0	27	30
VR NW 16 HF	PN 250	21,25	G 1/2" -14	26	12	39,0	15,0	32	36
VR NW 16 HF 3/4	PN 250	21,25	G 3/4" -14	32	16	40,5	16,5	32	36
VR NW 20 HF	PN 250	26,75	G 3/4" -14	32	16	41,5	16,5	41	42
VR NW 20 HF 1	PN 250	26,75	G 1" -11	39	16	43,5	18,5	42	42
VR NW 25 HF	PN 160	33,50	G 1" -11	39	16	45,5	20,5	46	55

Series: LL = Very light L = Light S = Heavy – PN = Nominal pressure PB = Max. operating pressure – Ø = External pipe diameter