

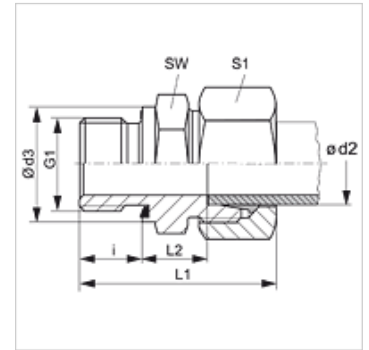
VR ED MG

Screw in fitting

HANSA FLEX

Properties

Connection 1	BSP external thread, cylindrical
Sealing form 1	Shape E
Connection 2	metric cylindrical outer thread
Sealing form 2	24° inner cone
Design	Screw-in fitting
Construction	straight
Standard	DIN 2353 ISO 8434-1
Scope of supply	Socket with union nut and cutting ring
Material	Brass



Note

Information about fitting, installation, pressure loads and permissible operating temperatures can be found in the technical information for pipe fittings.

Item

Identification	Series	Operating pressure	Ø d2 (mm)	G1	Ø d3 (mm)	i (mm)	L1 (mm)	L2 (mm)	AF (mm)	S1
VR NW 04 HL ED MG	L	PN 200	6	G 1/8" -28	14,0	8	31,0	8,5	14	14
VR NW 06 HL ED MG	L	PN 200	8	G 1/4" -19	18,7	12	37,0	10,0	19	17
VR NW 10 HL ED MG	L	PN 200	12	G 3/8" -19	22,0	12	39,0	12,5	22	22
VR NW 13 HL ED MG	L	PN 200	15	G 1/2" -14	26,7	14	43,0	14,0	27	27
VR NW 16 HL ED MG	L	PN 200	18	G 1/2" -14	26,7	14	45,0	14,5	27	32
VR NW 20 HL ED MG	L	PN 100	22	G 3/4" -14	32,0	16	49,0	16,5	32	36
VR NW 25 HL ED MG	L	PN 100	28	G 1" -11	39,7	18	52,0	17,5	41	41
VR NW 32 HL ED MG	L	PN 200	35	G 1.1/4" -11	49,7	20	59,0	17,5	50	50
VR NW 40 HL ED MG	L	PN 200	42	G 1.1/2" -11	55,0	22	69,0	19,0	55	60
VR NW 03 HS ED MG	S	PN 400	6	G 1/4" -19	18,7	12	40,0	13,0	19	17
VR NW 04 HS ED MG	S	PN 400	8	G 1/4" -19	18,7	12	42,0	15,0	19	19
VR NW 06 HS ED MG	S	PN 400	10	G 3/8" -19	22,0	12	43,0	15,0	22	22
VR NW 08 HS ED MG	S	PN 400	12	G 3/8" -19	22,0	12	45,0	17,0	22	24
VR NW 13 HS ED MG	S	PN 250	16	G 1/2" -14	26,7	14	51,0	18,5	27	30
VR NW 16 HS ED MG	S	PN 250	20	G 3/4" -14	32,0	16	58,0	20,5	32	36
VR NW 20 HS ED MG	S	PN 250	25	G 1" -11	39,7	18	65,0	23,0	41	46
VR NW 25 HS ED MG	S	PN 250	30	G 1.1/4" -11	49,7	20	70,0	23,5	50	50

Series: LL = Very light L = Light S = Heavy - PN = Nominal pressure PB = Max. operating pressure - Ø d2 = External pipe diameter

Product versions

VR ED	Screw-in fitting, Steel
VR ED VA	Screw in fitting, Stainless steel

Spare parts

WD	Soft seal for ED fittings
----	---------------------------