

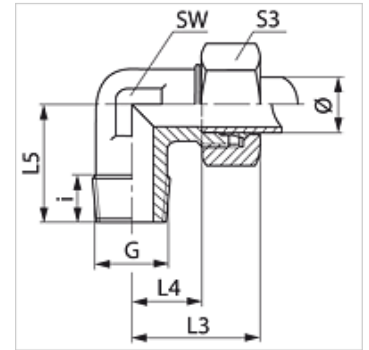
# WN HF

Screw-in fitting, angle 90°, French

**HANSA FLEX**

## Properties

<b>Connection 1</b>	NPT external threads
<b>Sealing form 1</b>	thread seal
<b>Connection 2</b>	metric cylindrical outer thread
<b>Sealing form 2</b>	24° inner cone
<b>Design</b>	Screw-in fitting
<b>Construction type</b>	French series
<b>Construction</b>	Angle 90°
<b>Scope of supply</b>	Socket with union nut and cutting ring
<b>Material</b>	Steel
<b>Surface</b>	electro galvanised



## Note

Information about fitting, installation, pressure loads and permissible operating temperatures can be found in the technical information for pipe fittings.

## Item

Identification	Operating pressure	External pipe Ø (mm)	G	i (mm)	L3 (mm)	L4 (mm)	L5 (mm)	AF (mm)	S3
WN NW 10 HF	PN 400	13,25	3/8" -18 NPT	12,4	38,5	16	22,9	19	27
WN NW 13 HF 3/8	PN 250	16,75	3/8" -18 NPT	12,4	41,5	18	24,4	24	30

Series: LL = Very light L = Light S = Heavy - PN = Nominal pressure PB = Max. operating pressure - Ø = External pipe diameter