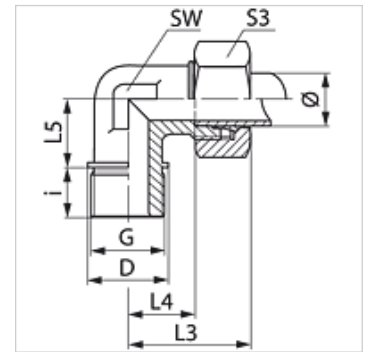


# WR HF

Screw-in fitting, angle 90°, French

## Properties

<b>Connection 1</b>	BSPT conical external threads
<b>Sealing form 1</b>	thread seal
<b>Connection 2</b>	metric cylindrical outer thread
<b>Sealing form 2</b>	24° inner cone
<b>Design</b>	Screw-in fitting
<b>Construction type</b>	French series
<b>Construction</b>	Angle 90°
<b>Scope of supply</b>	Socket with union nut and cutting ring
<b>Material</b>	Steel
<b>Surface</b>	electro galvanised



## Note

Information about fitting, installation, pressure loads and permissible operating temperatures can be found in the technical information for pipe fittings.

## Item

Identification	Operating pressure	External pipe Ø (mm)	G	i (mm)	L3 (mm)	L4 (mm)	L5 (mm)	AF (mm)	S3
WR NW 10 HF 1/4	PN 400	13,25	R 1/4" K	12,3	38,5	16	23,5	19	27
WR NW 10 HF	PN 400	13,25	R 3/8" K	12,7	38,5	16	23,7	19	27
WR NW 10 HF 1/2	PN 300	13,25	R 1/2" K	16,8	38,5	16	24,8	19	27
WR NW 13 HF 1/4	PN 250	16,75	R 1/4" K	12,3	41,5	18	30,0	24	30
WR NW 13 HF 3/8	PN 250	16,75	R 3/8" K	12,7	41,5	18	25,2	24	30
WR NW 13 HF	PN 250	16,75	R 1/2" K	16,8	41,5	18	26,3	24	30
WR NW 16 HF	PN 250	21,25	R 1/2" K	16,8	47,0	23	30,3	30	36
WR NW 16 HF 3/4	PN 250	21,25	R 3/4" K	18,1	47,0	23	30,0	30	36
WR NW 20 HF	PN 250	26,75	R 3/4" K	18,1	52,0	27	36,0	36	42
WR NW 20 HF 1	PN 250	26,75	R 1" K	21,3	52,0	27	36,5	36	42
WR NW 25 HF	PN 160	33,50	R 1" K	21,3	60,0	35	44,1	46	55
WR NW 25 HF 1 1/4	PN 160	33,50	R 1.1/4" K	23,6	60,0	35	43,3	46	55

Series: LL = Very light L = Light S = Heavy – PN = Nominal pressure PB = Max. operating pressure – Ø = External pipe diameter