

# DHS M / DHS R

Double hollow screw

**HANSA FLEX**

## Properties

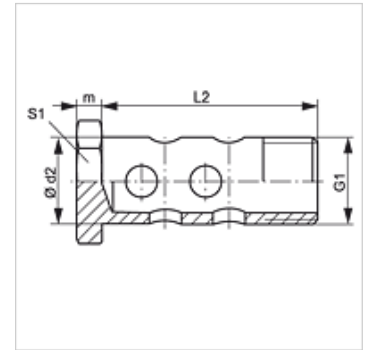
**Connection 1** metric / BSP external thread

**Design** Double hollow screw

**Standard** DIN 7643

**Material** Steel

**Surface** electro galvanised



## Item

Identification	G1	Ø d2 (mm)	L2 (mm)	m (mm)	S1
DHS M 06	M 6 x 1	6	25	5	11
DHS M 08	M 8 x 1	8	27	5	12
DHS M 10	M 10 x 1	10	30	6	14
DHS M 12	M 12 x 1.5	12	38	6	17
DHS M 14	M 14 x 1.5	14	42	6	19
DHS M 16	M 16 x 1.5	16	46	6	22
DHS M 18	M 18 x 1.5	18	54	6	24
DHS M 22	M 22 x 1.5	22	69	7	27
DHS M 26	M 26 x 1.5	26	77	8	32
DHS M 30	M 30 x 1.5	30	86	8	36
DHS R 1/4	G 1/4" -19	13	41	6	19

SW, S1, S2 = With across flats