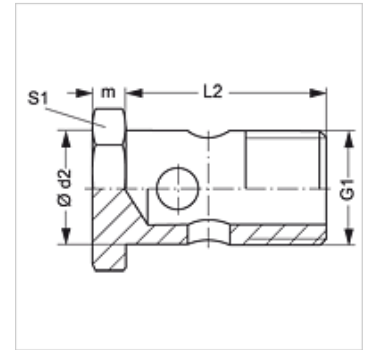


# HS M

## Hollow screw

### Properties

<b>Connection 1</b>	metric cylindrical outer thread
<b>Design</b>	Hollow screw
<b>Material</b>	Steel
<b>Surface</b>	electro galvanised



### Item

Identification	G1	Ø d2 (mm)	L2 (mm)	m (mm)	S1
HS M 06	M 6 x 1	6	17	4	11
HS M 08	M 8 x 1	8	17	5	12
HS M 10	M 10 x 1	10	19	6	14
HS M 12	M 12 x 1.5	12	24	6	17
HS M 14	M 14 x 1.5	14	26	6	19
HS M 16	M 16 x 1.5	16	28	6	22
HS M 18	M 18 x 1.5	18	32	6	24
HS M 22	M 22 x 1.5	22	39	7	27
HS M 26	M 26 x 1.5	26	45	7	32
HS M 30	M 30 x 1.5	30	51	7	36
HS M 38	M 38 x 1.5	38	61	8	46

SW, S1, S2 = With across flats

### Product versions

HS M VA	Hollow screw, Stainless steel
---------	-------------------------------