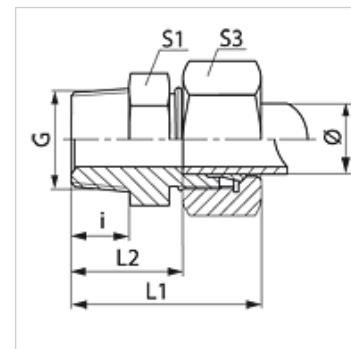


## Properties

Connection 1	BSPT conical external threads
Sealing form 1	thread seal
Connection 2	metric cylindrical outer thread
Sealing form 2	24° inner cone
Design	Screw-in fitting
Construction	straight
Standard	DIN 2353 ISO 8434-1
Scope of supply	Socket with union nut and cutting ring
Material	Stainless steel



## Note

Information about fitting, installation, pressure loads and permissible operating temperatures can be found in the technical information for pipe fittings.

## Item

Identification	Series	Operating pressure	External pipe Ø (mm)	G	i (mm)	L1 (mm)	L2 (mm)	S1	S3
VR 04 LL VA	LL	PN 100	4	R 1/8" K	8	26	16,0	11	10
VR 06 LL VA	LL	PN 100	6	R 1/8" K	8	26	14,5	11	12
VR 06 LL 1/4 VA	LL	PN 100	6	R 1/4" K	12	26	14,5	12	12
VR 08 LL VA	LL	PN 100	8	R 1/8" K	8	28	16,5	12	14
VR 08 LL 1/4 VA	LL	PN 100	8	R 1/4" K	13	33	21,5	17	14
VRK NW 04 HL VA	L	PN 315	6	R 1/8" K	10	32	17,0	12	14
VRK NW 04 HL 1/4 VA	L	PN 315	6	R 1/4" K	13	36	21,0	17	14
VRK NW 04 HL 3/8 VA	L	PN 315	6	R 3/8" K	12	36	21,0	17	14
VRK NW 04 HL 1/2 VA	L	PN 315	6	R 1/2" K	14	27	12,0	22	14
VRK NW 06 HL 1/8 VA	L	PN 315	8	R 1/8" K	8	31	16,0	14	17
VRK NW 06 HL VA	L	PN 315	8	R 1/4" K	13	36	21,0	17	17
VRK NW 06 HL 3/8 VA	L	PN 315	8	R 3/8" K	12	36	21,0	19	17
VRK NW 06 HL 1/2 VA	L	PN 315	8	R 1/2" K	14	38	23,0	22	17
VRK NW 08 HL 1/8 VA	L	PN 315	10	R 1/8" K	10	26	19,0	17	19
VRK NW 08 HL VA	L	PN 315	10	R 1/4" K	13	37	22,0	17	19
VRK NW 08 HL 3/8 VA	L	PN 315	10	R 3/8" K	12	37	22,0	19	19
VRK NW 08 HL 1/2 VA	L	PN 315	10	R 1/2" K	14	39	24,0	22	19
VRK NW 10 HL 1/8 VA	L	PN 315	12	R 1/8" K	8	32	17,0	19	22
VRK NW 10 HL 1/4 VA	L	PN 315	12	R 1/4" K	13	38	23,0	19	22
VRK NW 10 HL VA	L	PN 315	12	R 3/8" K	13	38	23,0	19	22
VRK NW 10 HL 1/2 VA	L	PN 315	12	R 1/2" K	16	41	26,0	24	22
VRK NW 10 HL 3/4 VA	L	PN 315	12	R 3/4" K	16	42	27,5	27	22
VRK NW 13 HL 1/4 VA	L	PN 315	15	R 1/4" K	12	37	22,0	24	27
VRK NW 13 HL 3/8 VA	L	PN 315	15	R 3/8" K	13	39	24,0	24	27
VRK NW 13 HL VA	L	PN 315	15	R 1/2" K	16	42	27,0	24	27
VRK NW 13 HL 3/4 VA	L	PN 315	15	R 3/4" K	16	30	15,0	32	27
VRK NW 16 HL 3/8 VA	L	PN 315	18	R 3/8" K	13	31	14,5	27	32
VRK NW 16 HL VA	L	PN 315	18	R 1/2" K	16	44	27,5	27	32
VRK NW 16 HL 3/4 VA	L	PN 160	18	R 3/4" K	18	32	29,5	32	32
VRK NW 20 HL 3/8 VA	L	PN 160	22	R 3/8" K	12	46	25,5	32	36
VRK NW 20 HL 1/2 VA	L	PN 160	22	R 1/2" K	16	46	27,5	27	36
VRK NW 20 HL VA	L	PN 160	22	R 3/4" K	18	48	31,5	32	36
VRK NW 20 HL 1 VA	L	PN 160	22	R 1" K	18	50	31,5	32	36
VRK NW 25 HL 1/2 VA	L	PN 160	28	R 1/2" K	14	46	25,5	41	41
VRK NW 25 HL 3/4 VA	L	PN 160	28	R 3/4" K	16	49	30,5	41	41
VRK NW 25 HL VA	L	PN 160	28	R 1" K	20	34	34,5	41	41
VRK NW 25 HL 1 1/4 VA	L	PN 160	28	R 1.1/4" K	20	49	30,5	46	41
VRK NW 32 HL VA	L	PN 160	35	R 1.1/4" K	21	39	36,5	46	50
VRK NW 32 HL 1 VA	L	PN 160	35	R 1" K	20	34	34,5	41	41
VRK NW 40 HL 1 1/4 VA	L	PN 160	42	R 1.1/4" K	20	55	31,0	55	60
VRK NW 40 HL VA	L	PN 160	42	R 1.1/2" K	22	42	38,0	55	60
VRK NW 03 HS VA	S	PN 400	6	R 1/4" K	13	41	26,0	17	17



Item									
Identification	Series	Operating pressure	External pipe Ø (mm)	G	i (mm)	L1 (mm)	L2 (mm)	S1	S3
VRK NW 04 HS 3/8 VA	S	PN 400	8	R 3/8" K	12	40	25,0	19	19
VRK NW 04 HS VA	S	PN 400	8	R 1/4" K	13	41	26,0	17	19
VRK NW 06 HS VA	S	PN 400	10	R 3/8" K	13	42	25,5	19	22
VRK NW 06 HS 1/4 VA	S	PN 400	10	R 1/4" K	13	41	26,0	17	22
VRK NW 08 HS VA	S	PN 400	12	R 3/8" K	13	44	27,5	22	24
VRK NW 08 HS 1/2 VA	S	PN 400	12	R 1/2" K	16	49	30,5	22	24
VRK NW 10 HS VA	S	PN 400	14	R 1/2" K	16	50	32,0	24	27
VRK NW 13 HS VA	S	PN 400	16	R 1/2" K	14	51	32,5	27	30
VRK NW 16 HS VA	S	PN 400	20	R 3/4" K	18	60	35,5	32	36
VRK NW 20 HS VA	S	PN 400	25	R 1" K	20	67	38,0	41	46
VRK NW 25 HS VA	S	PN 250	30	R 1.1/4" K	21	71	40,5	46	50

Series: LL = Very light L = Light S = Heavy - PN = Nominal pressure PB = Max. operating pressure - Ø = External pipe diameter

## Product versions

VRK	Screw-in fitting, Steel
VRK MG	Screw in fitting, Brass
XVRK VA	Screw-in fitting, Stainless steel