

# HS M VA

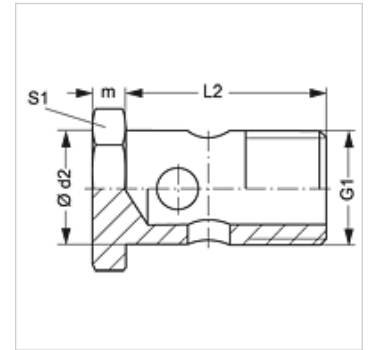
Hollow screw

## Properties

**Connection 1** metric cylindrical outer thread

**Design** Hollow screw

**Material** Stainless steel



## Item

Identification	G1	Ø d2 (mm)	L2 (mm)	m (mm)	S1
HS M 10 VA	M 10 x 1	10	19	6	14
HS M 12 VA	M 12 x 1.5	12	24	6	17
HS M 14 VA	M 14 x 1.5	14	26	6	19
HS M 16 VA	M 16 x 1.5	16	28	6	22
HS M 18 VA	M 18 x 1.5	18	32	6	24
HS M 22 VA	M 22 x 1.5	22	39	7	27
HS M 26 VA	M 26 x 1.5	26	45	7	32

SW, S1, S2 = With across flats

## Product versions

HS M Hollow screw, Steel