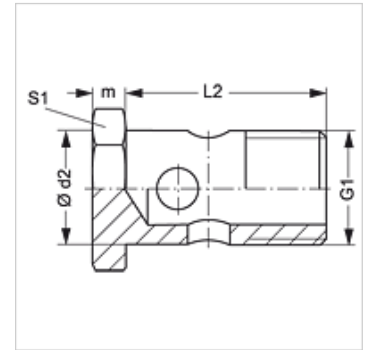


# HS R

## Hollow screw

### Properties

<b>Connection 1</b>	BSP external thread, cylindrical
<b>Design</b>	Hollow screw
<b>Material</b>	Steel
<b>Surface</b>	electro galvanised



### Item

Identification	G1	Ø d2 (mm)	L2 (mm)	m (mm)	S1
<b>HS R 1/8</b>	G 1/8" -28	9,9	19,0	5	14
<b>HS R 1/4</b>	G 1/4" -19	13,1	25,5	5	17
<b>HS R 3/8</b>	G 3/8" -19	16,6	31,0	7	22
<b>HS R 1/2</b>	G 1/2" -14	20,9	40,0	8	27
<b>HS R 5/8</b>	G 5/8" -14	22,9	47,0	9	32
<b>HS R 3/4</b>	G 3/4" -14	26,4	47,0	-	32
<b>HS R 1</b>	G 1" -11	33,2	58,0	10	41

SW, S1, S2 = With across flats

### Product versions

<b>HS R VA</b>	Hollow screw, Stainless steel
----------------	-------------------------------