

# HS R VA

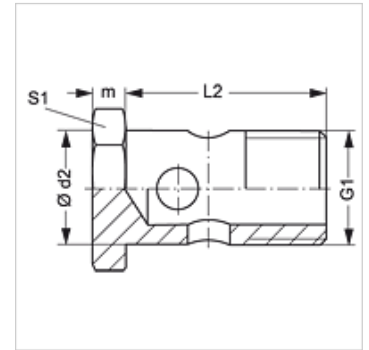
Hollow screw

## Properties

**Connection 1** BSP external thread, cylindrical

**Design** Hollow screw

**Material** Stainless steel



## Item

Identification	G1	Ø d2 (mm)	L2 (mm)	S1
<b>HS R 1/8 VA</b>	G 1/8" -28	9,9	19,0	14
<b>HS R 3/8 VA</b>	G 3/8" -19	16,6	28,0	22
<b>HS R 1/2 VA</b>	G 1/2" -14	20,9	39,0	27
<b>HS R 3/4 VA</b>	G 3/4" -14	26,4	47,0	32

SW, S1, S2 = With across flats

## Product versions

**HS R** Hollow screw, Steel