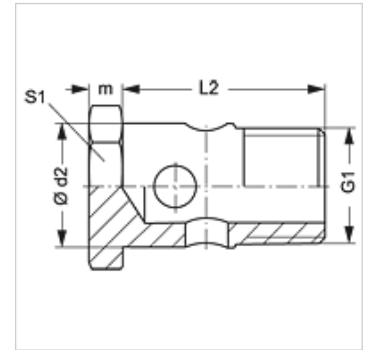


HSM R

Hollow screw

Properties

Connection 1	BSP external thread, cylindrical
Design	Hollow screw
Construction type	Metric banjo
Material	Steel
Surface	electro galvanised



Item

Identification	G1	Ø d2 (mm)	L2 (mm)	S1
HSM R 1/8	G 1/8" -28	10,0	19	14
HSM R 1/4	G 1/4" -19	14,0	26	19
HSM R 1/2	G 1/2" -14	22,0	39	27

SW, S1, S2 = With across flats