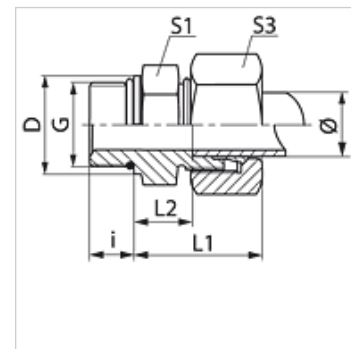


## Properties

Connection 1	UN/UNF external threads
Sealing form 1	Shape F
Connection 2	metric cylindrical outer thread
Sealing form 2	24° inner cone
Design	Screw-in fitting
Construction	straight
Standard	DIN 2353 ISO 8434-1
Scope of supply	Socket with union nut and cutting ring
Material	Stainless steel



## Note

Information about fitting, installation, pressure loads and permissible operating temperatures can be found in the technical information for pipe fittings.

## Item

Identification	Series	Operating pressure	External pipe Ø (mm)	G	D (mm)	i (mm)	L1 (mm)	L2 (mm)	S1	S3	OR
VU NW 04 HL 9/16 VA	L	PN 315	6	9/16"-18 UNF	17,6	10,0	35,0	10,0	19	14	11.90 x 1.98
VU NW 04 HL 7/16 VA	L	PN 315	6	7/16"-20 UNF	17,0	9,0	23,0	8,5	14	16	8.92 x 1.83
VU NW 04 HL 1/2 VA	L	PN 315	6	1/2"-20 UNF	17,0	9,0	23,0	8,5	17	17	10.52 x 1.83
VU NW 06 HL 7/16 VA	L	PN 315	8	7/16"-20 UNF	14,4	9,0	28,0	13,0	17	17	8.92 x 1.83
VU NW 06 HL 1/2 VA	L	PN 315	8	1/2"-20 UNF	17,0	9,0	25,0	10,0	17	17	10.52 x 1.83
VU NW 06 HL 9/16 VA	L	PN 315	8	9/16"-18 UNF	19,0	10,0	25,0	10,0	17	17	11.90 x 1.98
VU NW 08 HL 7/16 VA	L	PN 315	10	7/16"-20 UNF	14,4	9,0	29,0	14,0	17	19	8.92 x 1.83
VU NW 08 HL 9/16 VA	L	PN 315	10	9/16"-18 UNF	19,0	10,0	26,0	11,0	19	19	16.36 x 2.20
VU NW 08 HL 1/2 VA	L	PN 315	10	1/2"-20 UNF	17,0	9,2	25,0	10,0	17	19	10.52 x 1.83
VU NW 08 HL 3/4 VA	L	PN 315	10	3/4"-16 UNF	22,3	11,0	26,0	11,0	24	19	16.36 x 2.20
VU NW 10 HL 9/16 VA	L	PN 315	12	9/16"-18 UNF	17,6	10,0	27,0	12,0	19	22	11.90 x 1.98
VU NW 10 HL 3/4 VA	L	PN 315	12	3/4"-16 UNF	22,3	11,0	28,0	13,0	24	22	16.36 x 2.20
VU NW 10 HL 7/8 VA	L	PN 315	12	7/8"-14 UNF	25,5	13,0	29,0	14,0	27	22	19.18 x 2.46
VU NW 13 HL 9/16 VA	L	PN 315	15	9/16"-18 UNF	17,6	10,0	29,0	14,0	27	27	11.90 x 1.98
VU NW 13 HL 3/4 VA	L	PN 315	15	3/4"-16 UNF	22,3	11,0	29,0	14,0	24	27	16.36 x 2.20
VU NW 13 HL 7/8 VA	L	PN 315	15	7/8"-14 UNF	25,5	13,0	30,5	15,5	27	27	19.18 x 2.46
VU NW 16 HL 3/4 VA	L	PN 315	18	3/4"-16 UNF	22,3	11,0	29,5	14,5	27	32	16.36 x 2.20
VU NW 16 HL 7/8 VA	L	PN 315	18	7/8"-14 UNF	25,5	13,0	29,5	14,5	27	32	19.18 x 2.46
VU NW 16 HL 1 1/16 VA	L	PN 315	18	1.1/16"-12 UN	31,9	15,0	29,5	14,5	32	32	23.47 x 2.95
VU NW 20 HL 7/8 VA	L	PN 160	22	7/8"-14 UNF	25,5	13,0	33,0	16,5	32	36	19.18 x 2.46
VU NW 20 HL 1 1/16 VA	L	PN 160	22	1.1/16"-12 UN	31,9	15,0	33,0	16,5	32	36	23.47 x 2.95
VU NW 20 HL 1 5/16 VA	L	PN 160	22	1.5/16"-12 UN	38,2	15,0	34,0	17,5	41	36	29.74 x 2.95
VU NW 25 HL 1 1/16 VA	L	PN 160	28	1.1/16"-12 UN	31,9	15,0	34,0	17,5	41	41	23.47 x 2.95
VU NW 25 HL 1 5/16 VA	L	PN 160	28	1.5/16"-12 UN	38,2	15,0	34,0	17,5	41	41	29.74 x 2.95
VU NW 32 HL 1 5/8 VA	L	PN 160	35	1.5/8"-12 UN	50,0	15,0	39,0	17,5	50	48	37.47 x 3.00
VU NW 03 HS 7/16 VA	S	PN 630	6	7/16"-20 UNF	17,0	9,0	30,0	15,0	17	16	8.92 x 1.83
VU NW 04 HS 7/16 VA	S	PN 630	8	7/16"-20 UNF	14,4	9,0	30,0	15,0	17	19	8.92 x 1.83
VU NW 04 HS 1/2 VA	S	PN 630	8	1/2"-20 UNF	17,0	9,0	30,0	15,0	19	17	10.52 x 1.83
VU NW 04 HS 9/16 VA	S	PN 630	8	9/16"-18 UNF	17,6	10,0	30,0	15,0	19	17	11.90 x 1.98
VU NW 06 HS 9/16 VA	S	PN 630	10	9/16"-18 UNF	17,6	10,0	31,0	14,5	19	22	11.90 x 1.98
VU NW 06 HS 3/4 VA	S	PN 630	10	3/4"-16 UNF	22,3	11,0	31,0	14,5	24	22	16.36 x 2.20
VU NW 08 HS 9/16 VA	S	PN 630	12	9/16"-18 UNF	17,6	10,0	31,0	14,5	22	24	11.90 x 1.98
VU NW 08 HS 3/4 VA	S	PN 630	12	3/4"-16 UNF	22,3	11,0	34,0	17,5	24	24	16.36 x 2.20
VU NW 08 HS 7/8 VA	S	PN 630	12	7/8"-14 UNF	25,5	13,0	37,0	18,5	27	24	19.18 x 2.46
VU NW 13 HS 3/4 VA	S	PN 400	16	3/4"-16 UNF	22,3	11,0	34,0	15,5	24	30	16.36 x 2.20
VU NW 13 HS 7/8 VA	S	PN 400	16	7/8"-14 UNF	25,5	13,0	37,0	18,5	27	30	19.18 x 2.46
VU NW 16 HS 3/4 VA	S	PN 400	20	3/4"-16 UNF	22,3	11,0	42,0	20,5	32	36	16.36 x 2.20
VU NW 16 HS 7/8 VA	S	PN 400	20	7/8"-14 UNF	25,5	13,0	42,0	20,5	32	36	19.18 x 2.46
VU NW 16 HS 1 1/16 VA	S	PN 400	20	1.1/16"-12 UN	31,9	15,0	42,0	20,5	32	36	23.47 x 2.95
VU NW 20 HS 1 1/16 VA	S	PN 400	25	1.1/16"-12 UN	31,9	15,0	47,0	23,0	41	46	23.47 x 2.95
VU NW 20 HS 1 5/16 VA	S	PN 400	25	1.5/16"-12 UN	38,2	15,0	47,0	23,0	41	46	29.74 x 2.95
VU NW 25 HS 1 5/16 VA	S	PN 400	30	1.5/16"-12 UN	38,2	15,0	50,0	23,5	46	50	29.74 x 2.95
VU NW 25 HS 1 5/8 VA	S	PN 400	30	1.5/8"-12 UN	47,7	15,0	50,0	23,5	50	50	37.47 x 3.00



## Item

Identification	Series	Operating pressure	External pipe Ø (mm)	G	D (mm)	i (mm)	L1 (mm)	L2 (mm)	S1	S3	OR
VU NW 32 HS 1 5/8 VA	S	PN 315	38	1.5/8" -12 UN	54,0	15,0	42,0	19,0	55	60	37.47 x 3.00
VU NW 32 HS 1 7/8 VA	S	PN 315	38	1.7/8" -12 UN	55,0	15,0	57,0	26,0	60	55	43.69 x 3.00

Series: LL = Very light L = Light S = Heavy - PN = Nominal pressure PB = Max. operating pressure - Ø = External pipe diameter

## Product versions

VU	Screw-in fitting, Steel
XVU VA	Screw-in fitting, Stainless steel