

# KM BSP

## Counter nut

### Properties

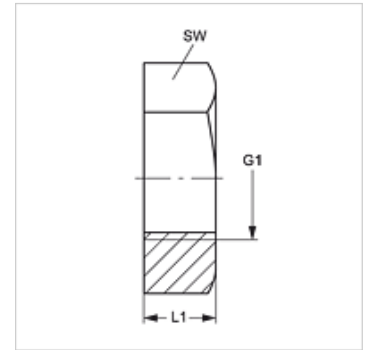
**Connection 1** BSP cylindrical internal threads

**Design** Counter nut

**Standard** ISO 8434-3

**Material** Steel

**Surface** electro galvanised



### Item

Identification	G1	L1 (mm)	AF (mm)
<b>KM 02 BSP</b>	G 1/8" -28	5	14
<b>KM 04 BSP</b>	G 1/4" -19	6	19
<b>KM 06 BSP</b>	G 3/8" -19	7	22
<b>KM 08 BSP</b>	G 1/2" -14	8	27
<b>KM 10 BSP</b>	G 5/8" -14	7	30
<b>KM 12 BSP</b>	G 3/4" -14	9	32
<b>KM 16 BSP</b>	G 1" -11	10	41
<b>KM 20 BSP</b>	G 1.1/4" -11	13	50
<b>KM 24 BSP</b>	G 1.1/2" -11	15	55
<b>KM 32 BSP</b>	G 2" -11	15	70

AF = Width across flats