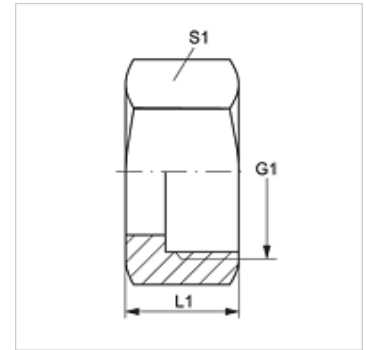
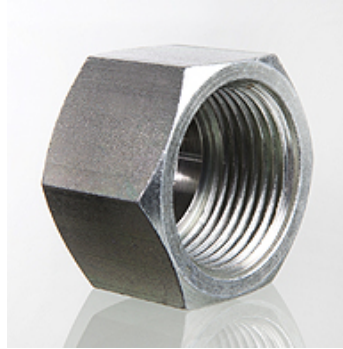


UEM AB

Union nut AB

Properties

Connection 1	BSP nut thread
Design	Union nut
Standard	ISO 8434-6
Material	Steel
Surface	electro galvanised



Item

Identification	G1	L1 (mm)	S1
UEM AB 02	G 1/8" -28	15,0	14
UEM AB 04	G 1/4" -19	15,0	17
UEM AB 06	G 3/8" -19	18,0	22
UEM AB 08	G 1/2" -14	20,0	27
UEM AB 10	G 5/8" -14	23,0	27
UEM AB 12	G 3/4" -14	23,0	32
UEM AB 16	G 1" -11	26,0	41
UEM AB 20	G 1.1/4" -11	28,0	50
UEM AB 24	G 1.1/2" -11	32,5	60

SW, S1, S2 = With across flats