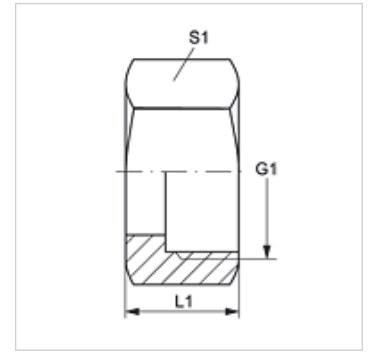
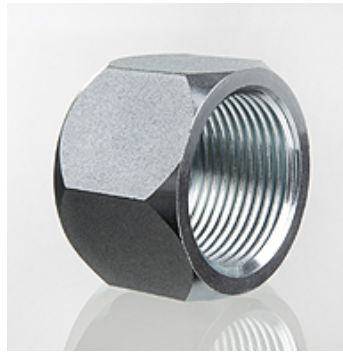


# UEM AJ

## Union nut AJ

### Properties

<b>Connection 1</b>	UN/UNF inner thread
<b>Design</b>	Union nut
<b>Standard</b>	ISO 8434-2
<b>Material</b>	Steel
<b>Surface</b>	electro galvanised



### Item

Identification	for external pipe Ø (mm)	G1	S1	L1 (mm)
UEM AJ 03	-	3/8"-24 UNF	11	16,0
UEM AJ 04	-	7/16"-20 UNF	14	16,0
UEM AJ 05	-	1/2"-20 UNF	17	17,0
UEM AJ 06	-	9/16"-18 UNF	19	18,0
UEM AJ 08	-	3/4"-16 UNF	22	21,0
UEM AJ 10	-	7/8"-14 UNF	27	25,0
UEM AJ 12	-	1.1/16" -12 UN	32	26,0
UEM AJ 14	-	1.3/16" -12 UN	36	27,5
UEM AJ M 20	20	1.1/16" -12 UN	32	26,2
UEM AJ 16	-	1.5/16" -12 UN	41	28,0
UEM AJ 20	-	1.5/8" -12 UN	50	31,0
UEM AJ 24	-	1.7/8" -12 UN	60	36,0
UEM AJ 32	-	2.1/2" -12 UN	70	45,0

### Product versions

UEM AJ VA	Union nut AJ, Stainless steel
-----------	-------------------------------