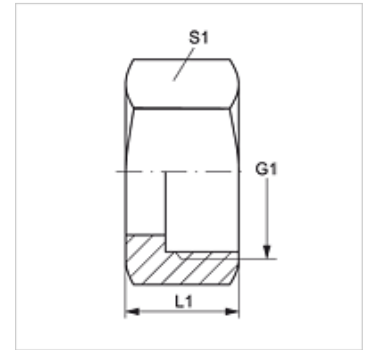
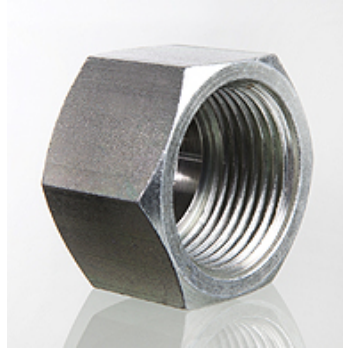


UEM AJF

Union nut AJF

Properties

Connection 1	ORFS nut threads
Sealing form 1	flat sealing
Design	Union nut
Standard	ISO 8434-3
Material	Steel
Surface	electro galvanised



Item

Identification	G1	L1 (mm)	S1
UEM AJF 04	9/16"-18 UNF	15,0	17
UEM AJF 06	11/16" -16 UN	17,0	22
UEM AJF 08	13/16" -16 UN	20,0	24
UEM AJF 10	1" -14 UNS	24,0	30
UEM AJF 12	1.3/16" -12 UN	26,5	36
UEM AJF 16	1.7/16" -12 UN	27,5	41
UEM AJF 20	1.11/16" -12 UN	27,5	50
UEM AJF 24	2" -12 UN	27,5	60

SW, S1, S2 = With across flats

Product versions

UEM AJF VA	Union nut AJF, Stainless steel
------------	--------------------------------