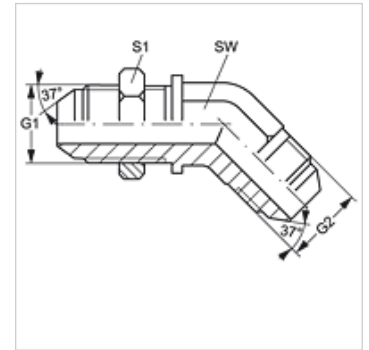


# SW 45 HJ

Bulkhead fitting socket, angle 45°

## Properties

<b>Connection 1</b>	UN/UNF external threads
<b>Sealing form 1</b>	74° outer cone
<b>Connection 2</b>	UN/UNF external threads
<b>Sealing form 2</b>	74° outer cone
<b>Design</b>	Bulkhead fitting socket
<b>Construction</b>	Angle 45°
<b>Material</b>	Steel
<b>Surface</b>	electro galvanised



## Item

Identification	G1 + G2	AF (mm)	S1
SW 45 HJ 04	7/16"-20 UNF	11	17
SW 45 HJ 05	1/2"-20 UNF	14	19
SW 45 HJ 06	9/16"-18 UNF	14	21
SW 45 HJ 08	3/4"-16 UNF	19	25
SW 45 HJ 10	7/8"-14 UNF	22	29
SW 45 HJ 12	1.1/16" -12 UN	27	35
SW 45 HJ 16	1.5/16" -12 UN	33	41
SW 45 HJ 20	1.5/8" -12 UN	41	48
SW 45 HJ 24	1.7/8" -12 UN	48	55

SW, S1, S2 = With across flats

## Product versions

SW 45 HJ VA Bulkhead fitting socket, angle 45°, Stainless steel