

# SW 45 HJ VA

Bulkhead fitting socket, angle 45°

## Properties

**Connection 1** UN/UNF external threads

**Sealing form 1** 74° outer cone

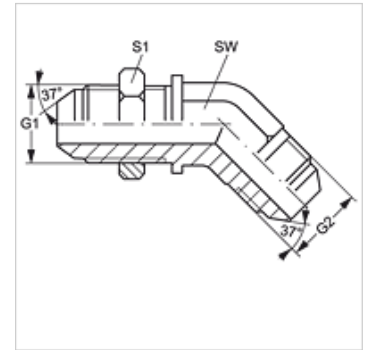
**Connection 2** UN/UNF external threads

**Sealing form 2** 74° outer cone

**Design** Bulkhead fitting socket

**Construction** Angle 45°

**Material** Stainless steel



## Item

| Identification | G1 + G2      | AF<br>(mm) | S1 |
|----------------|--------------|------------|----|
| SW 45 HJ 04 VA | 7/16"-20 UNF | 11         | 17 |
| SW 45 HJ 06 VA | 9/16"-18 UNF | 14         | 21 |
| SW 45 HJ 08 VA | 3/4"-16 UNF  | 19         | 25 |

SW, S1, S2 = With across flats

## Product versions

SW 45 HJ Bulkhead fitting socket, angle 45°, Steel