

SW 90 HJ

Bulkhead fitting socket, angle 90°

Properties

Connection 1 UN/UNF external threads

Sealing form 1 74° outer cone

Connection 2 UN/UNF external threads

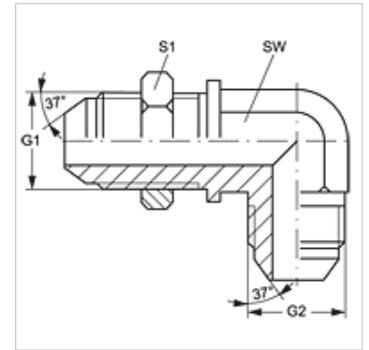
Sealing form 2 74° outer cone

Design Bulkhead fitting socket

Construction Angle 90°

Material Steel

Surface electro galvanised



Item

Identification	G1 + G2	AF (mm)	S1
SW 90 HJ 04	7/16"-20 UNF	11	17
SW 90 HJ 05	1/2"-20 UNF	13	19
SW 90 HJ 06	9/16"-18 UNF	14	22
SW 90 HJ 08	3/4"-16 UNF	19	24
SW 90 HJ 10	7/8"-14 UNF	22	30
SW 90 HJ 12	1.1/16" -12 UN	27	36
SW 90 HJ 14	1.3/16" -12 UN	41	38
SW 90 HJ 16	1.5/16" -12 UN	41	41
SW 90 HJ 20	1.5/8" -12 UN	41	48
SW 90 HJ 24	1.7/8" -12 UN	55	55

SW, S1, S2 = With across flats

Product versions

SW 90 HJ VA Bulkhead fitting socket, angle 90°, Stainless steel