

# SW HB

Bulkhead fitting socket, angle 90°

## Properties

**Connection 1** BSP external thread, cylindrical

**Sealing form 1** 60° inner cone

**Connection 2** BSP cylindrical external threads

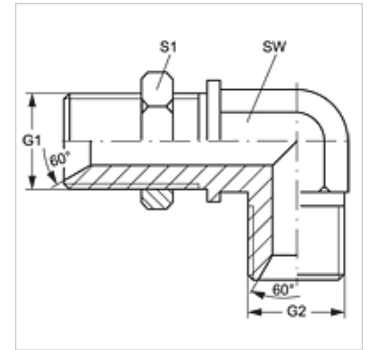
**Sealing form 2** 60° inner cone

**Design** Bulkhead fitting socket

**Construction** Angle 90°

**Material** Steel

**Surface** electro galvanised



## Item

Identification	G1 + G2	AF (mm)	S1
SW HB 02	G 1/8" -28	11	14
SW HB 04	G 1/4" -19	14	19
SW HB 06	G 3/8" -19	19	22
SW HB 08	G 1/2" -14	22	27
SW HB 10	G 5/8" -14	22	30
SW HB 12	G 3/4" -14	27	32
SW HB 16	G 1" -11	33	41
SW HB 20	G 1.1/4" -11	41	50
SW HB 24	G 1.1/2" -11	50	55

SW, S1, S2 = With across flats