

DRD VA

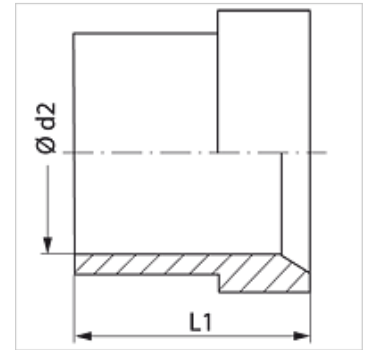
Pressure ring for flare connection

HANSA FLEX

Properties

Design Anel de suporte para conexão flangeada

Material Stainless steel



Item

Identification	Series	Operating pressure	$\varnothing d2$ (mm)	L1 (mm)
DRD 06 VA	L / S	PN 630	6	10,5
DRD 08 VA	L / S	PN 630	8	11,0
DRD 10 VA	L / S	PN 630	10	12,5
DRD 12 VA	L / S	PN 630	12	13,0
DRD 15 VA	L	PN 400	15	14,0
DRD 18 VA	L	PN 315	18	14,5
DRD 22 VA	L	PN 315	22	18,0
DRD 28 VA	L	PN 250	28	17,0
DRD 35 VA	L	PN 250	35	19,0
DRD 42 VA	L	PN 250	42	21,0
DRD 14 VA	S	PN 630	14	14,5
DRD 16 VA	S	PN 400	16	17,0
DRD 20 VA	S	PN 400	20	17,5
DRD 25 VA	S	PN 400	25	20,0
DRD 30 VA	S	PN 400	30	21,5
DRD 38 VA	S	PN 315	38	26,5

PN = Nominal pressure PB = Max. operating pressure - Series: LL = Very light L = Light S = Heavy

Product versions

DRD Pressure ring for flare connection, Steel