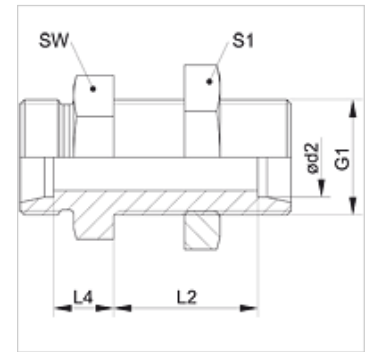


Properties

Connection 1 + 2	metric cylindrical outer thread
Sealing form 1 + 2	24° inner cone
Design	Bulkhead fitting
Construction	straight
Standard	DIN 2353 ISO 8434-1
Scope of supply	Socket (without union nut and cutting ring)
Material	Steel
Surface	electro galvanised



Note

Information about fitting, installation, pressure loads and permissible operating temperatures can be found in the technical information for pipe fittings.

Item

Identification	Series	Operating pressure	Ø d2 (mm)	G1	L2 (mm)	L4 (mm)	AF (mm)	S1
XSV NW 04 HL	L	PN 315	6	M 12 x 1.5	27,0	7,0	17	17
XSV NW 06 HL	L	PN 315	8	M 14 x 1.5	27,0	8,0	19	19
XSV NW 08 HL	L	PN 315	10	M 16 x 1.5	28,0	10,0	22	22
XSV NW 10 HL	L	PN 315	12	M 18 x 1.5	29,0	10,0	24	24
XSV NW 13 HL	L	PN 315	15	M 22 x 1.5	31,0	12,0	27	30
XSV NW 16 HL	L	PN 315	18	M 26 x 1.5	32,5	13,5	32	36
XSV NW 20 HL	L	PN 160	22	M 30 x 2	34,5	16,5	36	41
XSV NW 25 HL	L	PN 160	28	M 36 x 2	35,5	18,5	41	46
XSV NW 32 HL	L	PN 160	35	M 45 x 2	36,5	18,5	50	55
XSV NW 40 HL	L	PN 160	42	M 52 x 2	36,0	19,0	60	65
XSV NW 03 HS	S	PN 630	6	M 14 x 1.5	29,0	12,0	19	19
XSV NW 04 HS	S	PN 630	8	M 16 x 1.5	29,0	13,0	22	22
XSV NW 06 HS	S	PN 630	10	M 18 x 1.5	29,5	14,5	24	24
XSV NW 08 HS	S	PN 630	12	M 20 x 1.5	30,5	14,5	27	27
XSV NW 10 HS	S	PN 630	14	M 22 x 1.5	32,0	17,0	30	30
XSV NW 13 HS	S	PN 400	16	M 24 x 1.5	31,5	16,5	32	32
XSV NW 16 HS	S	PN 400	20	M 30 x 2	33,5	17,5	41	41
XSV NW 20 HS	S	PN 400	25	M 36 x 2	35,0	20,0	46	46
XSV NW 25 HS	S	PN 400	30	M 42 x 2	37,5	21,5	50	50
XSV NW 32 HS	S	PN 315	38	M 52 x 2	37,0	22,0	65	65

Series: LL = Very light L = Light S = Heavy – PN = Nominal pressure PB = Max. operating pressure – Ø d2 = External pipe diameter

Product versions

XSV VA	Bulkhead fitting, Stainless steel
SV	Bulkhead fitting, Steel