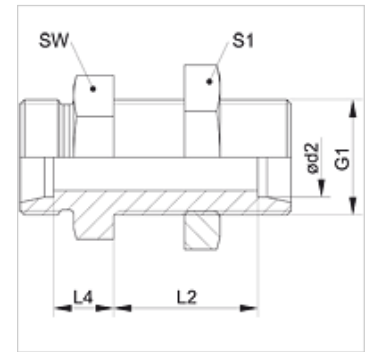


XSV VA

Bulkhead fitting

Properties

Connection 1 + 2	metric cylindrical outer thread
Sealing form 1 + 2	24° inner cone
Design	Bulkhead fitting
Construction	straight
Standard	DIN 2353 ISO 8434-1
Scope of supply	Socket (without union nut and cutting ring)
Material	Stainless steel



Note

Information about fitting, installation, pressure loads and permissible operating temperatures can be found in the technical information for pipe fittings.

Item

Identification	Series	Operating pressure	Ø d2 (mm)	G1	L2 (mm)	L4 (mm)	AF (mm)	S1
XSV NW 04 HL VA	L	PN 315	6	M 12 x 1.5	27,0	7,0	17	17
XSV NW 06 HL VA	L	PN 315	8	M 14 x 1.5	27,0	8,0	19	19
XSV NW 08 HL VA	L	PN 315	10	M 16 x 1.5	28,0	10,0	22	22
XSV NW 10 HL VA	L	PN 315	12	M 18 x 1.5	29,0	10,0	24	24
XSV NW 13 HL VA	L	PN 315	15	M 22 x 1.5	31,0	12,0	27	30
XSV NW 16 HL VA	L	PN 315	18	M 26 x 1.5	32,5	13,5	32	36
XSV NW 20 HL VA	L	PN 160	22	M 30 x 2	34,5	16,5	36	41
XSV NW 25 HL VA	L	PN 160	28	M 36 x 2	35,5	18,5	41	46
XSV NW 32 HL VA	L	PN 160	35	M 45 x 2	36,5	18,5	50	55
XSV NW 40 HL VA	L	PN 160	42	M 52 x 2	36,0	19,0	60	65
XSV NW 03 HS VA	S	PN 630	6	M 14 x 1.5	29,0	12,0	19	19
XSV NW 04 HS VA	S	PN 630	8	M 16 x 1.5	29,0	13,0	22	22
XSV NW 06 HS VA	S	PN 630	10	M 18 x 1.5	29,5	14,5	24	24
XSV NW 08 HS VA	S	PN 630	12	M 20 x 1.5	30,5	14,5	27	27
XSV NW 10 HS VA	S	PN 630	14	M 22 x 1.5	32,0	17,0	30	30
XSV NW 13 HS VA	S	PN 400	16	M 24 x 1.5	31,5	16,5	32	32
XSV NW 16 HS VA	S	PN 400	20	M 30 x 2	33,5	17,5	41	41
XSV NW 20 HS VA	S	PN 400	25	M 36 x 2	35,0	20,0	46	46
XSV NW 25 HS VA	S	PN 400	30	M 42 x 2	37,5	21,5	50	50
XSV NW 32 HS VA	S	PN 315	38	M 52 x 2	37,0	22,0	65	65

Series: LL = Very light L = Light S = Heavy – PN = Nominal pressure PB = Max. operating pressure – Ø d2 = External pipe diameter

Product versions

XSV	Bulkhead fitting, Steel
SV VA	Bulkhead fitting, Stainless steel