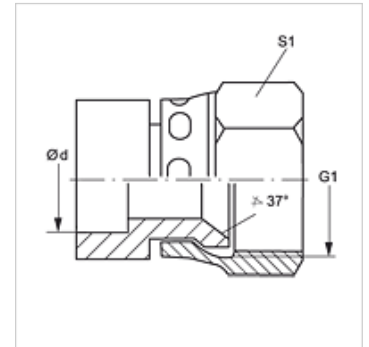
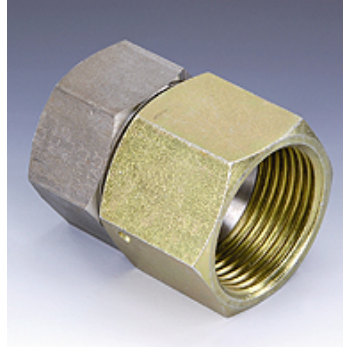


LOET AJ

Soldered connection, AJ

Properties

Connection 1	Soldered connection
Connection 2	UN/UNF external threads
Sealing form 2	74° outer cone
Design	Soldered socket
Construction	straight
Material	Steel
Surface	oiled



Item

Identification	Ø d (mm)	G1	L1 (mm)	AF (mm)
LOET 04 AJ 06	6	7/16"-20 UNF	30,5	17
LOET 05 AJ 10	10	1/2"-20 UNF	32,0	19
LOET 06 AJ 10	10	9/16"-18 UNF	33,5	21
LOET 06 AJ 12	12	9/16"-18 UNF	33,5	21
LOET 08 AJ 12	12	3/4"-16 UNF	35,0	26
LOET 08 AJ 16	16	3/4"-16 UNF	35,0	26
LOET 08 AJ 18	18	3/4"-16 UNF	35,0	26
LOET 10 AJ 16	16	7/8" -14 UNF	38,0	30
LOET 10 AJ 18	18	7/8" -14 UNF	38,0	30
LOET 10 AJ 22	22	7/8" -14 UNF	44,0	30
LOET 12 AJ 18	18	1.1/16" -12 UN	45,5	37
LOET 12 AJ 20	20	1.1/16" -12 UN	45,5	37
LOET 12 AJ 25	25	1.1/16" -12 UN	45,5	37
LOET 16 AJ 25	25	1.5/16" -12 UN	50,0	45
LOET 16 AJ 27	27	1.5/16" -12 UN	50,0	45
LOET 16 AJ 32	32	1.5/16" -12 UN	50,0	45
LOET 20 AJ 32	32	1.5/8" -12 UN	53,5	55
LOET 20 AJ 38	38	1.5/8" -12 UN	53,5	55
LOET 24 AJ 38	38	1.7/8" -12 UN	60,0	62

Ø d = External pipe diameter