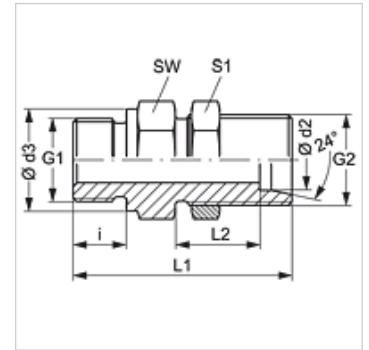


Properties

Connection 1	metric cylindrical outer thread
Sealing form 1	Shape A
Connection 2	metric cylindrical outer thread
Sealing form 2	24° inner cone
Design	Bulkhead screw-in fitting
Construction	straight
Standard	DIN 2353 ISO 8434-1
Scope of supply	Socket (without union nut and cutting ring)
Material	Steel
Surface	electro galvanised



Note

Information about fitting, installation, pressure loads and permissible operating temperatures can be found in the technical information for pipe fittings.

Item

Identification	Series	Operating pressure	$\varnothing d2$ (mm)	G1	G2	$\varnothing d3$ (mm)	i (mm)	L1 (mm)	AF (mm)	S1
XSVM NW 13 HS	S	PN 400	16	M 22 x 1.5	M 24 x 1.5	27	14	68,0	32	32
XSVM NW 16 HS 22	S	PN 400	20	M 22 x 1.5	M 30 x 2	27	14	70,0	41	41
XSVM NW 16 HS 26	S	PN 400	20	M 26 x 1.5	M 30 x 2	31	16	72,0	41	41
XSVM NW 20 HS 26	S	PN 400	25	M 26 x 1.5	M 36 x 2	31	16	75,0	41	46
XSVM NW 20 HS 30-1.5	S	PN 400	25	M 30 x 1.5	M 36 x 2	36	16	75,0	41	46
XSVM NW 25 HS 30-1.5	S	PN 400	30	M 30 x 1.5	M 42 x 2	36	16	79,0	50	50
XSVM NW 25 HS 38-1.5	S	PN 400	30	M 38 x 1.5	M 42 x 2	44	16	79,0	50	50
XSVM NW 25 HS 45-1.5	S	PN 400	30	M 45 x 1.5	M 42 x 2	52	16	79,0	55	50
XSVM NW 32 HS 38-1.5	S	PN 315	38	M 38 x 1.5	M 52 x 2	44	16	81,5	60	65
XSVM NW 32 HS 45-1.5	S	PN 315	38	M 45 x 1.5	M 52 x 2	52	16	81,5	60	65

Series: LL = Very light L = Light S = Heavy – PN = Nominal pressure PB = Max. operating pressure – $\varnothing d2$ = External pipe diameter