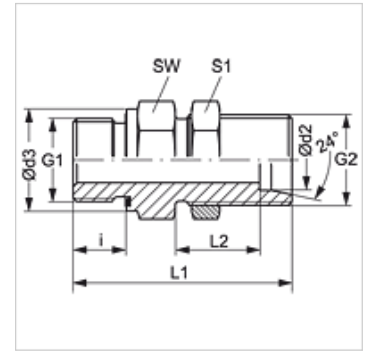


XSVR ED

Bulkhead screw-in fitting

Properties

Connection 1	BSP external thread, cylindrical
Sealing form 1	Shape E
Connection 2	metric cylindrical outer thread
Sealing form 2	24° inner cone
Design	Bulkhead screw-in fitting
Construction	straight
Standard	DIN 2353 ISO 8434-1
Scope of supply	Socket (without union nut and cutting ring)
Material	Steel
Surface	electro galvanised



Note

Information about fitting, installation, pressure loads and permissible operating temperatures can be found in the technical information for pipe fittings.

Item

Identification	Series	Operating pressure	Ø d2 (mm)	G1	G2	Ø d3 (mm)	i (mm)	L1 (mm)	L2 (mm)	AF (mm)	S1
XSVR NW 06 HL ED	L	PN 315	8	G 1/4" -19	M 14 x 1.5	18,9	12	53,0	27,0	19	19
XSVR NW 06 HL 3/8 ED	L	PN 315	8	G 3/8" -19	M 14 x 1.5	21,9	12	54,5	27,0	22	19
XSVR NW 06 HL 1/2 ED	L	PN 315	8	G 1/2" -14	M 14 x 1.5	26,9	14	58,0	27,0	27	19
XSVR NW 08 HL ED	L	PN 315	10	G 1/4" -19	M 16 x 1.5	18,9	12	55,0	28,0	22	22
XSVR NW 08 HL 1/2 ED	L	PN 315	10	G 1/2" -14	M 16 x 1.5	26,9	14	59,0	27,0	27	22
XSVR NW 10 HL ED	L	PN 315	12	G 3/8" -19	M 18 x 1.5	21,9	12	56,5	29,0	24	24
XSVR NW 10 HL 1/2 ED	L	PN 315	12	G 1/2" -14	M 18 x 1.5	26,9	14	60,0	29,0	27	24
XSVR NW 13 HL ED	L	PN 250	15	G 1/2" -14	M 22 x 1.5	26,9	14	62,0	31,0	27	30
XSVR NW 13 HL 3/4 ED	L	PN 250	15	G 3/4" -14	M 22 x 1.5	31,9	16	66,0	31,0	32	30
XSVR NW 16 HL ED	L	PN 250	18	G 1/2" -14	M 26 x 1.5	26,9	14	66,0	33,5	32	36
XSVR NW 16 HL 3/4 ED	L	PN 250	18	G 3/4" -14	M 26 x 1.5	31,9	16	68,0	33,5	32	36
XSVR NW 16 HL 1 ED	L	PN 250	18	G 1" -11	M 26 x 1.5	39,9	18	73,0	33,5	41	36
XSVR NW 20 HL ED	L	PN 250	22	G 3/4" -14	M 30 x 2	31,9	16	71,0	34,5	36	41
XSVR NW 40 HL ED	L	PN 250	42	G 1.1/2" -11	M 52 x 2	54,9	22	86,0	36,0	60	65
XSVR NW 08 HS 1/2 ED	S	PN 400	12	G 1/2" -14	M 20 x 1.5	26,9	14	65,0	30,5	27	27
XSVR NW 13 HS ED	S	PN 400	16	G 1/2" -14	M 24 x 1.5	26,9	14	68,0	31,5	32	32
XSVR NW 13 HS 3/4 ED	S	PN 400	16	G 3/4" -14	M 24 x 1.5	31,9	16	70,0	31,5	32	32
XSVR NW 16 HS ED	S	PN 400	20	G 3/4" -14	M 30 x 2	31,9	16	75,0	33,5	41	41
XSVR NW 20 HS 3/4 ED	S	PN 400	25	G 3/4" -14	M 36 x 2	31,9	16	80,0	35,0	46	46
XSVR NW 20 HS ED	S	PN 400	25	G 1" -11	M 36 x 2	39,9	18	82,0	35,0	46	46
XSVR NW 25 HS ED	S	PN 400	30	G 1.1/4" -11	M 42 x 2	49,9	20	89,0	37,5	50	50

Series: LL = Very light L = Light S = Heavy – PN = Nominal pressure PB = Max. operating pressure – Ø d2 = External pipe diameter

Spare parts

WD Soft seal for ED fittings